

LABEL1

Product number/revision  
Serial number

Label PCBA

**PCB**

PCB1

A08-2356  
ATmega328PB-XMINI PCB

**PCBA Documentation**

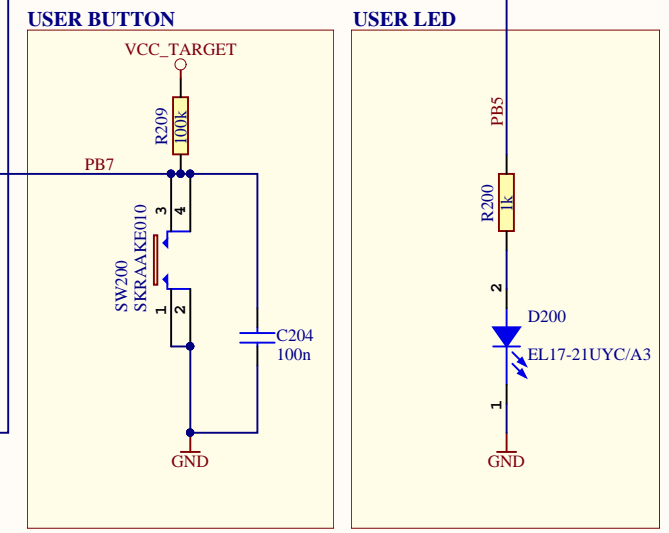
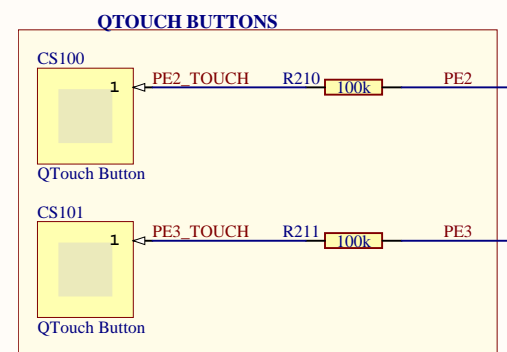
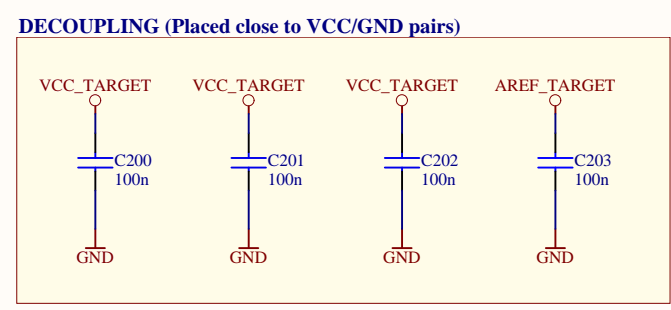
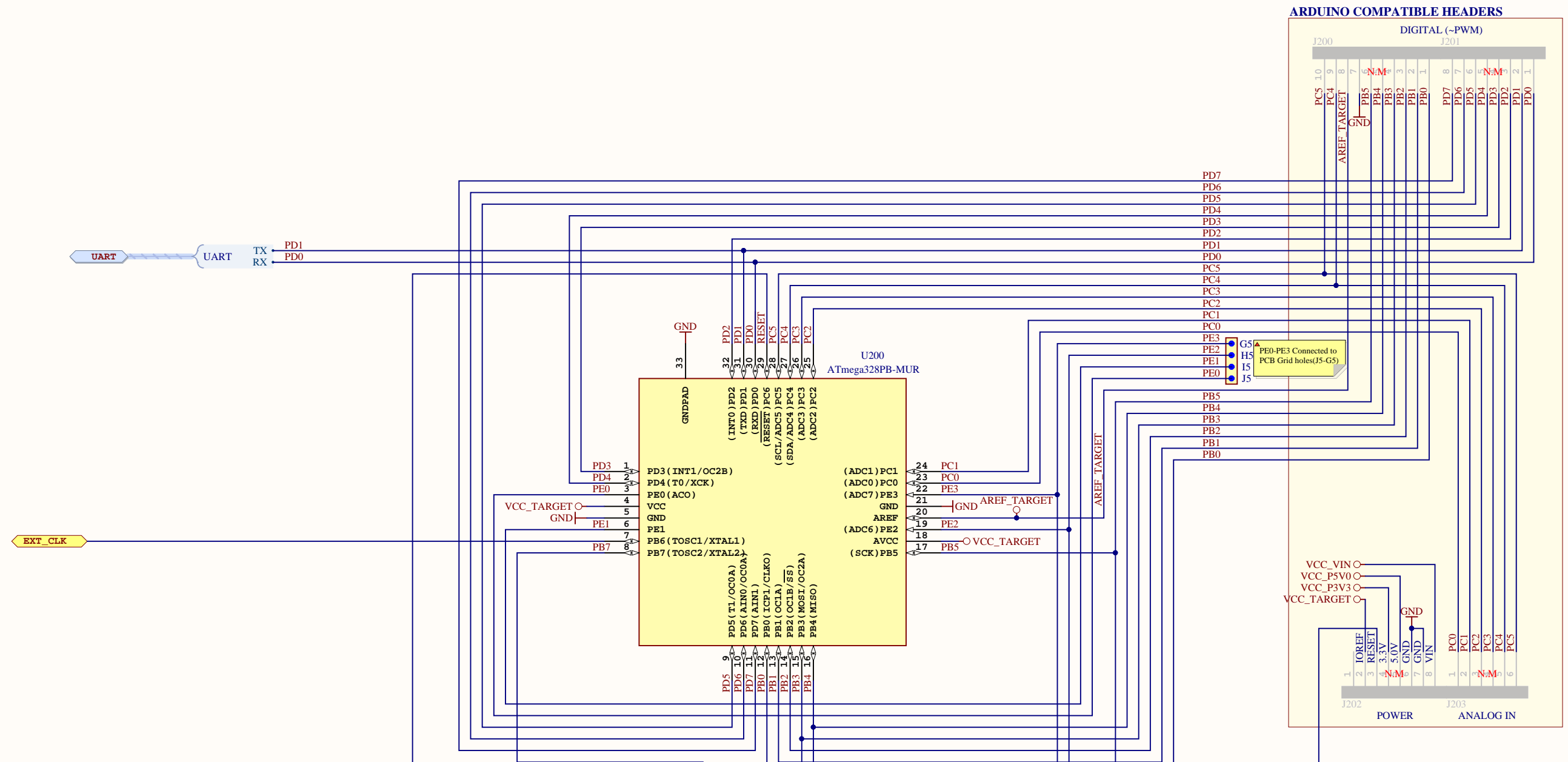
PCBADOC1  
A12-1030

TESTDOC1  
A12-0853

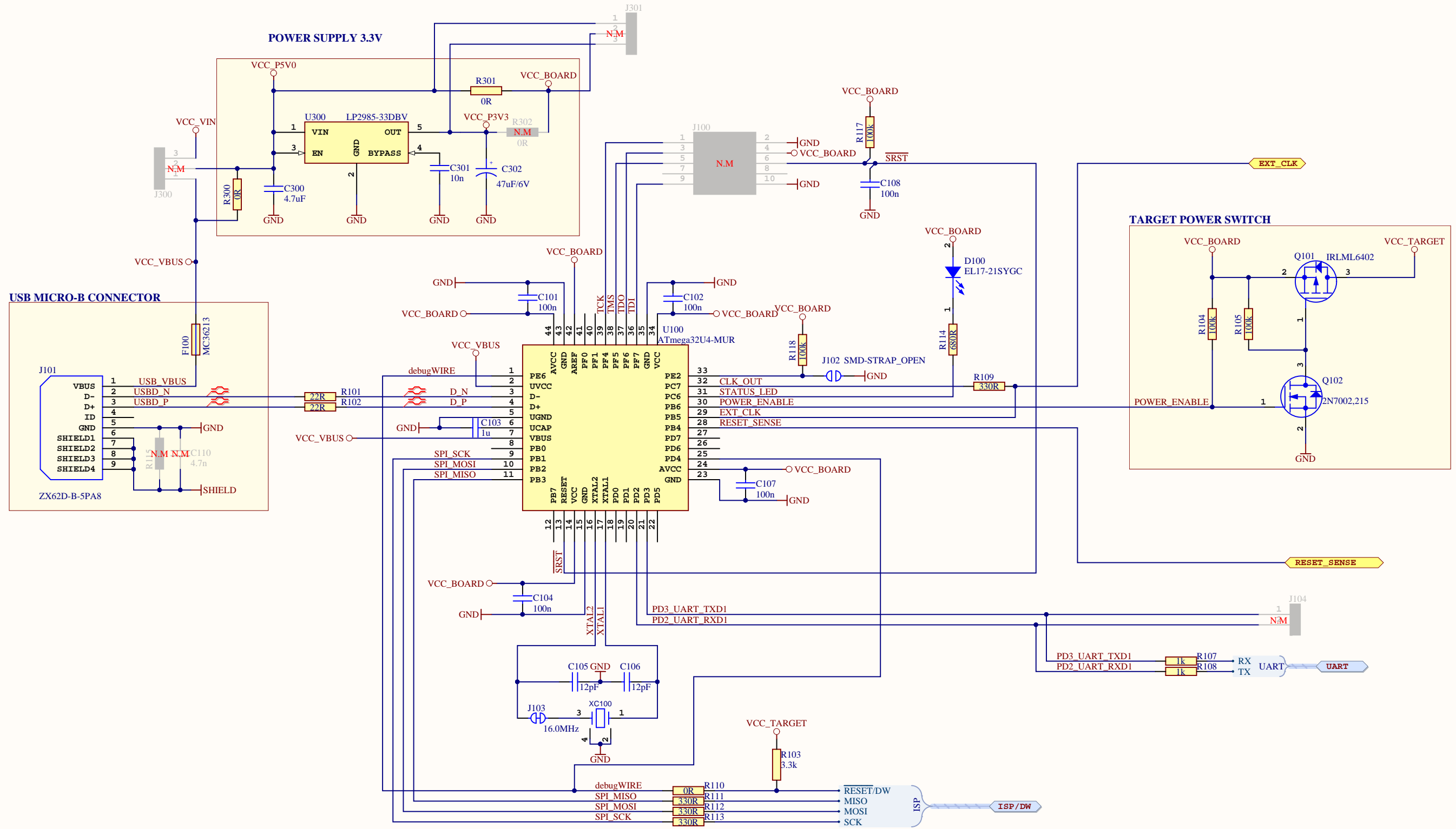
FW1  
A11-0252


TEST1  
A11-0312

ATMEL Norway	*			<p>Enabling Unlimited Possibilities</p>
Vestre Rosten 79	*			
N-7075 TILLER	*			
NORWAY				
Date:	04.01.2017	11:00:03	PAGE:	1 of 3
Document number:	A09-2523		Revision:	4
TITLE: ATmega328PB Xplained Mini				
ATmega328PB_Xplained_Mini_TopLevel.SchDoc				

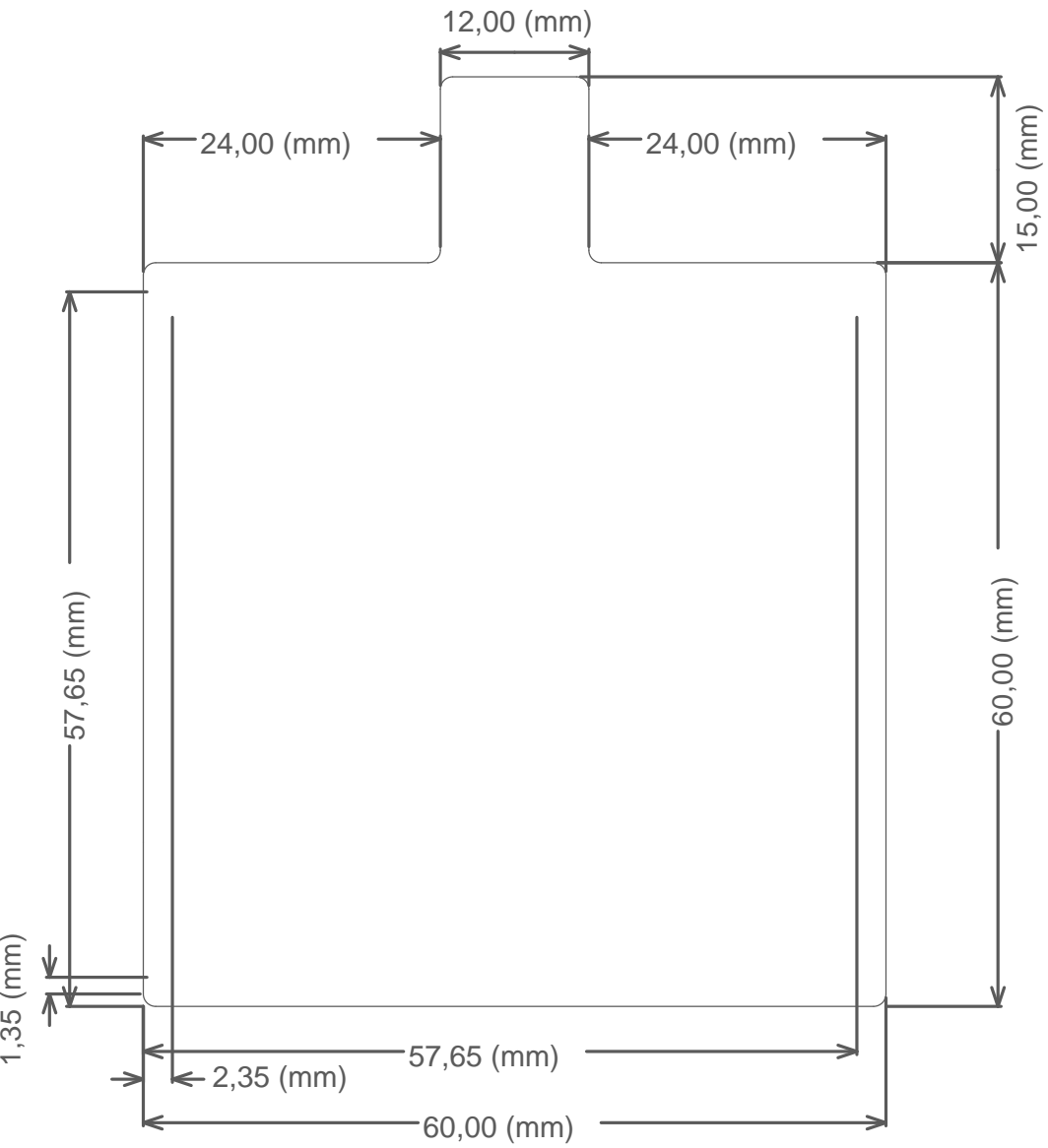


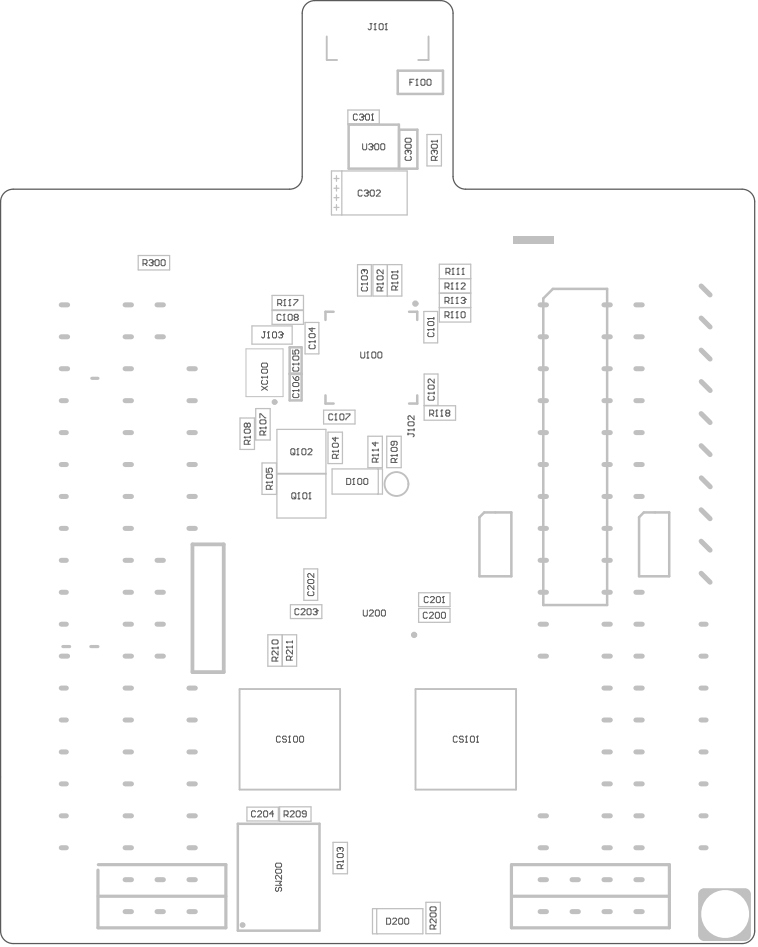
ATMEL Norway	*			
Vestre Rosten 79	*			
N-7075 TILLER	*			
NORWAY				
Date:	04.01.2017	11:00:04	PAGE: 2 of 3	
Document number:	A09-2523		Revision:	4
TITLE: ATmega328PB Xplained Mini				
ATmega328PB_Xplained_Mini_Target.SchDoc				

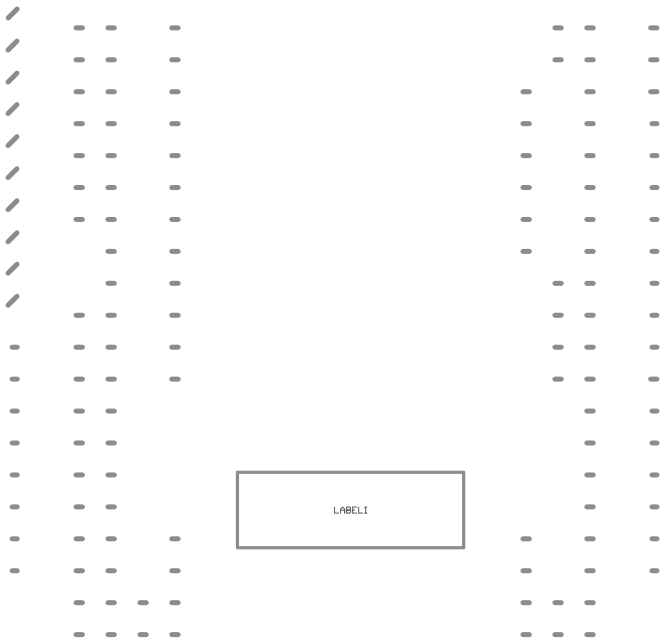


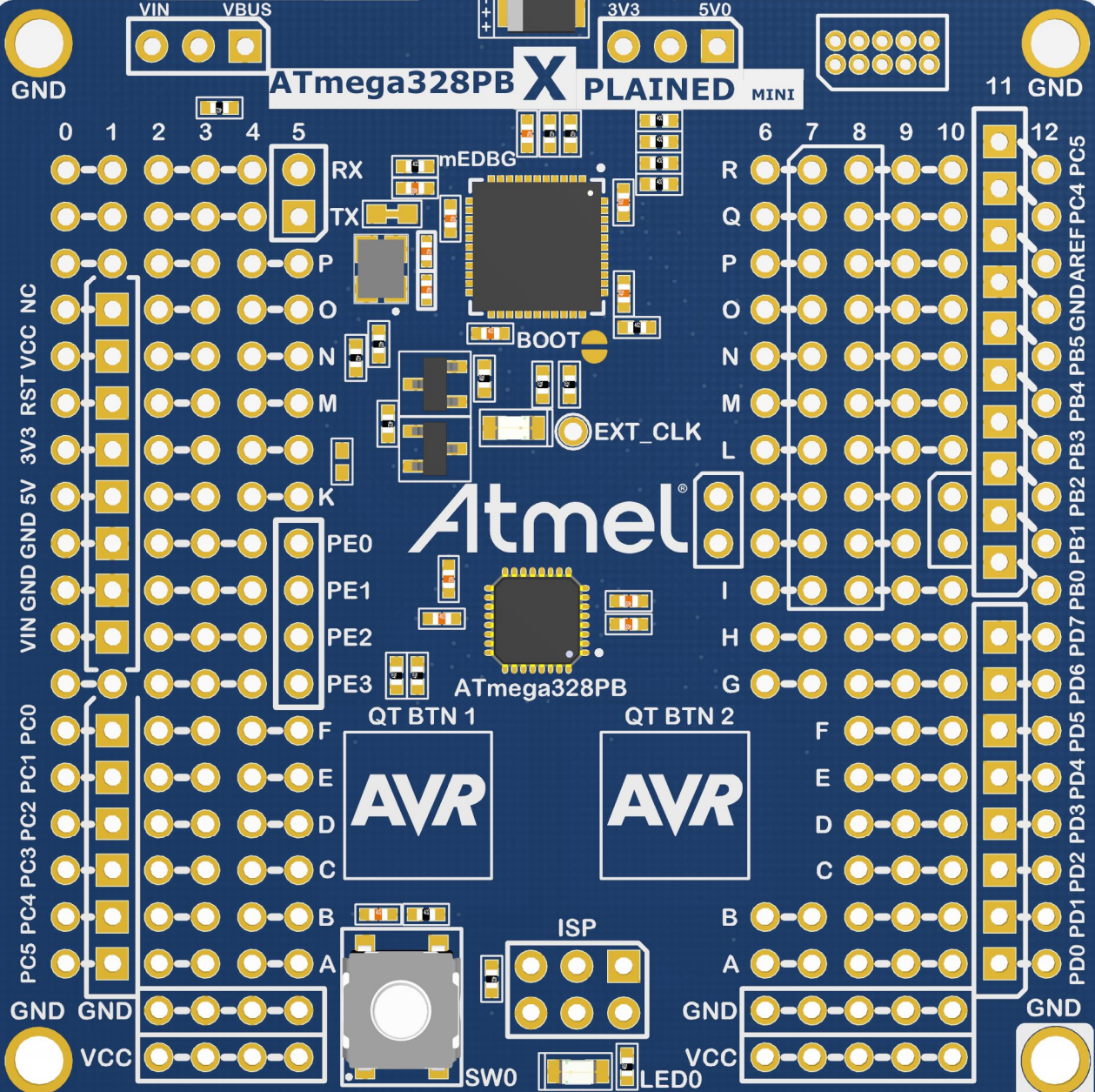
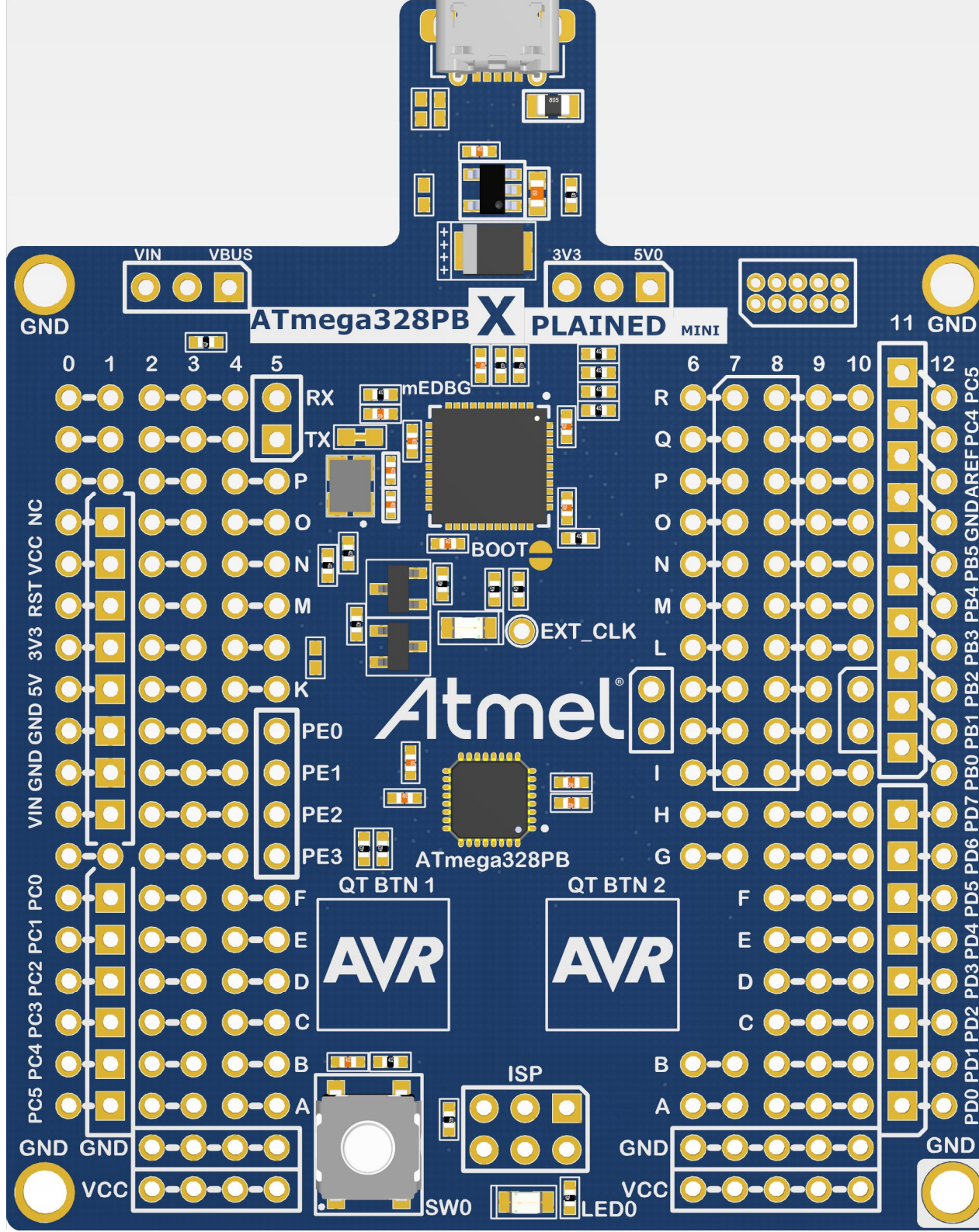
ATMEL Norway	*			 Enabling Unlimited Possibilities!
Vestre Rosten 79	*			
N-7075 TILLER	*			
NORWAY				
Date:	04.01.2017	11:00:04	PAGE: 3 of 3	
Document number:	A09-2523		Revision:	4
TITLE: ATmega328PB Xplained Mini				
ATmega328PB_Xplained_Mini_Programmer_SchDoc				

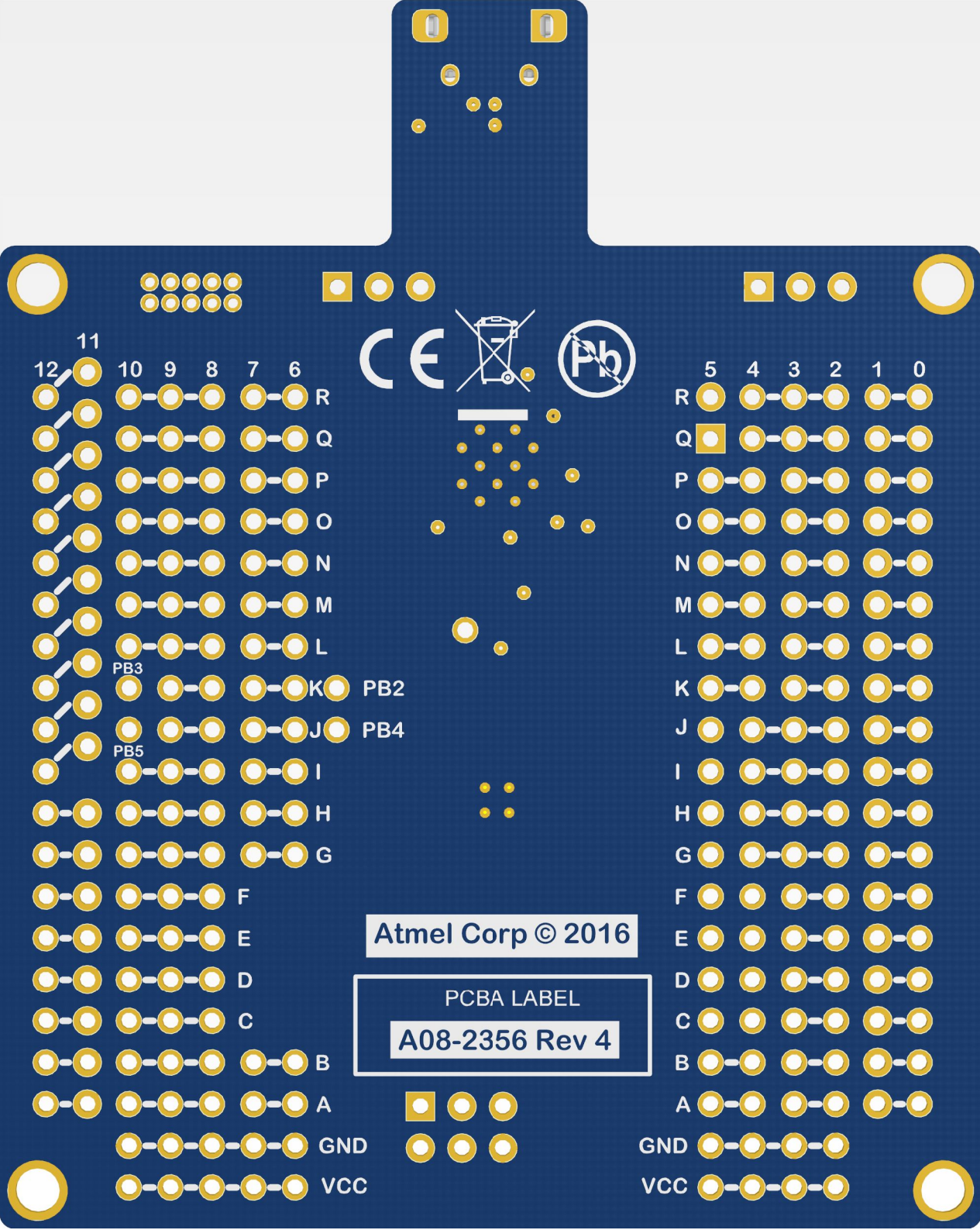
# Mechanical Dimensions











11  
12

10 9 8 7 6 R  
Q  
P  
O  
N  
M  
L  
PB3 K PB2  
PB4 J  
PB5 I  
H  
G  
F  
E  
D  
C  
B  
A  
GND  
VCC

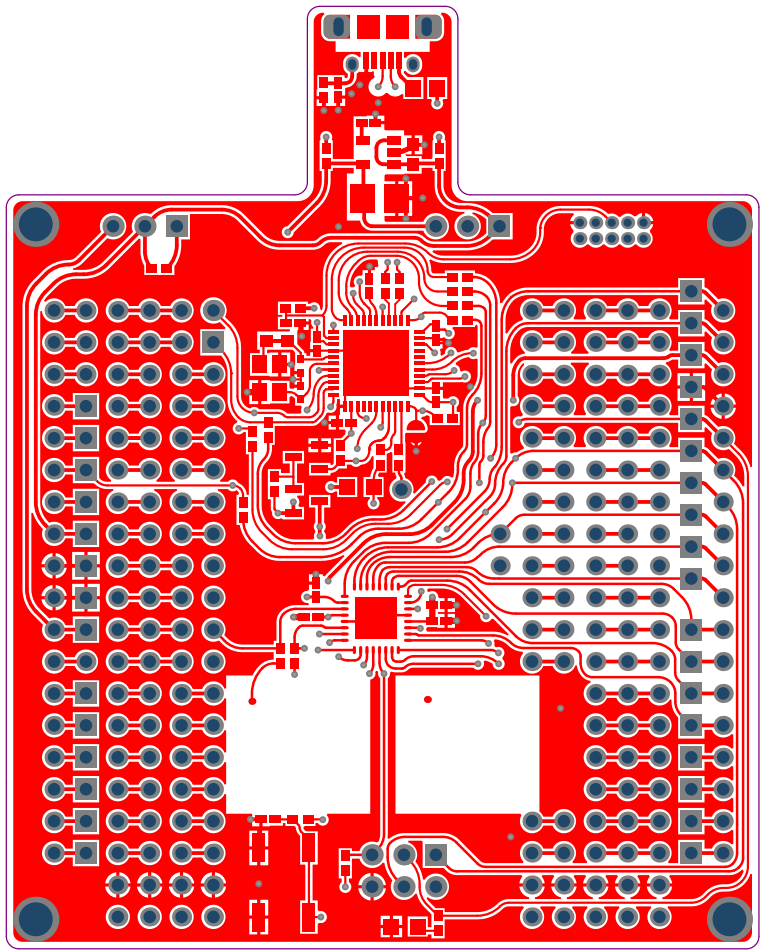


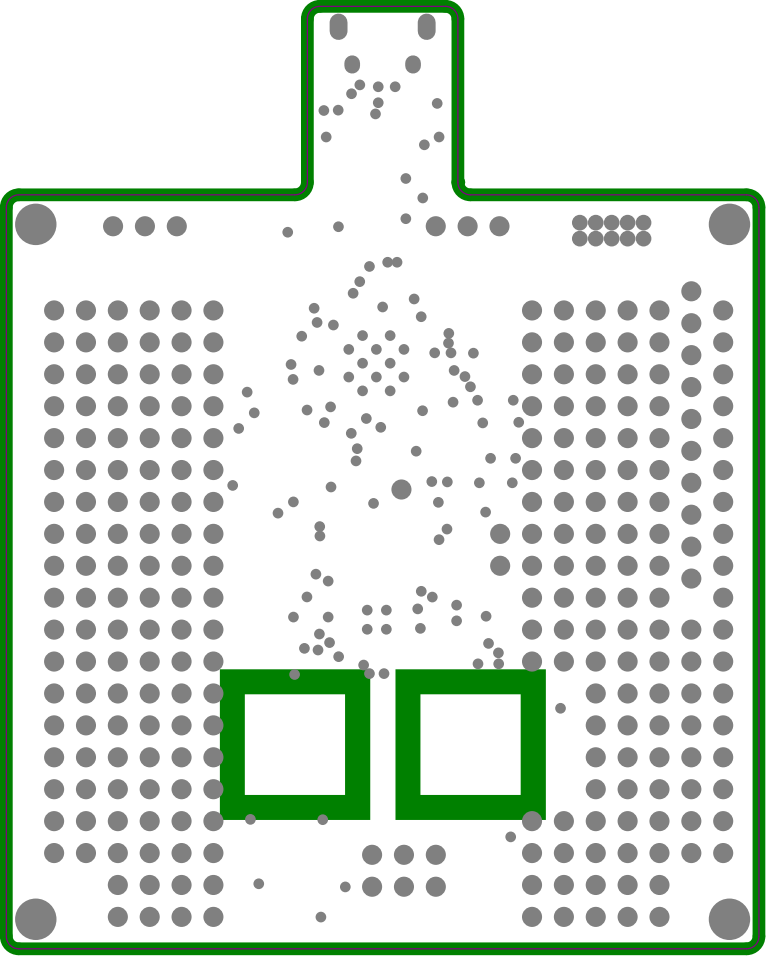
Atmel Corp © 2016

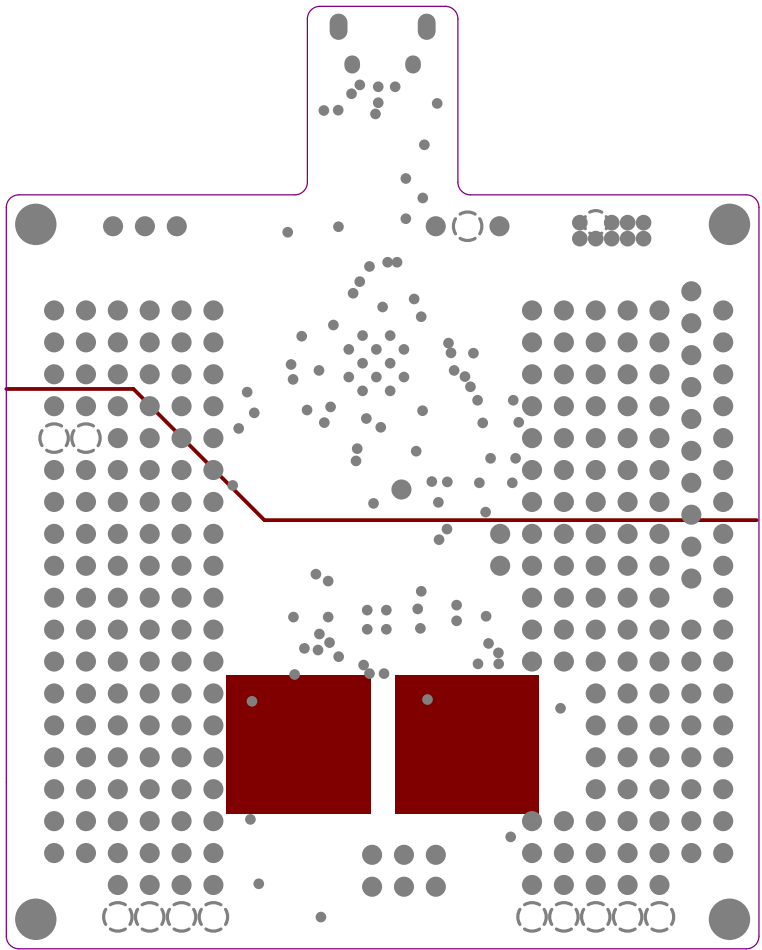
PCBA LABEL  
A08-2356 Rev 4

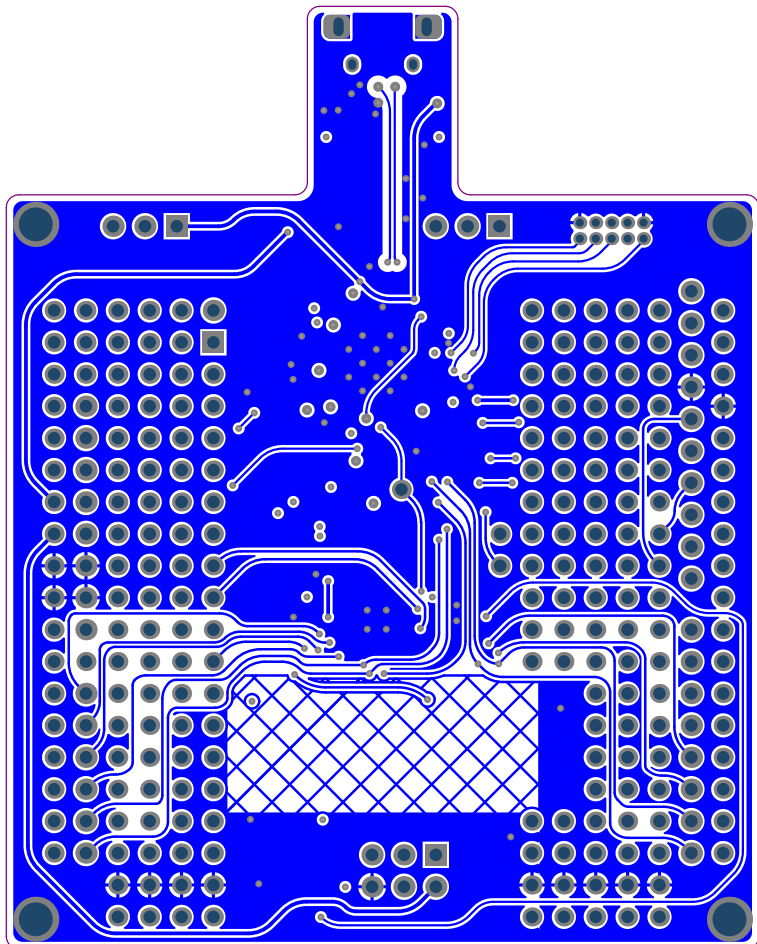
5 4 3 2 1 0  
R  
Q  
P  
O  
N  
M  
L  
K  
J  
I  
H  
G  
F  
E  
D  
C  
B  
A  
GND  
VCC











# Component list

Bill of Materials Fitted For Variant [Default\_assembly] of Project [ATmega328PB\_Xplained\_Mini.PrjPCB] (No PCB Document Selected)

Source Data From: ATmega328PB\_Xplained\_Mini.PrjPCB  
 Project: ATmega328PB\_Xplained\_Mini.PrjPCB  
 Variant: Default\_assembly



Report Date: 04.01.2017 11:00:40  
 Print Date: 04.01.2017 10:55:13

Fitted	Designator	Quantity	Value	Manufacturer	MPN	Description
Fitted	C101, C102, C104, C107, C108, C200, C201, C202, C203, C204	10	100n	Kemet	C0402C104KARACTU	Ceramic capacitor, SMD 0402, X7R, 16V, +/-10%
Fitted	C103	1	1u	Kemet	C0402C105K9PAC	Ceramic capacitor, SMD 0402, X5R, 6.3V, +/-10% (de26942)
Fitted	C105, C106	2	12pF	Kyocera-elco	CM05CG120J50AH	Ceramic capacitor, SMD 0402, NPO, 50V, +/-5% (de19819)
Fitted	C300	1	4.7uF	AVX	06032D475KAT2A	Ceramic capacitor, SMD 0603, X6R, 10V, +/-10%
Fitted	C301	1	10n	YAGEO CORP	CC0402KRX7R8BB103	Ceramic capacitor, SMD 0402, X7R, 25V, +/-10%
Fitted	C302	1	47uF6V	Kemet	T494B476M006AT	SMD tantalum capacitor, precision molded chip, ESR=0.5
Fitted	D100	1	EL17-21SYGC	Everlight	EL17-21SYGC	LED, Green, Wave length=575nm, SMD 0805, +/-70°
Fitted	D200	1	EL17-21UYC/A3	Everlight	17-21UYC/S530-A3/TR8	LED, Yellow, Wave length=591nm, SMD 0805, +/-70°
Fitted	F100	1	MC36213	Multicomp	MC36213	Resetable PTC fuse, I <sub>n</sub> = 0.5A, I <sub>t</sub> = 1.0A, 0805 package
Fitted	FW1	1	MEDBG firmware			MEDBG firmware
Fitted	J101	1	ZX62D-B-5PA8	HIROSE	ZX62D-B-5PA8(30)	Micro USB B Connector, Standard SMT + DIP
Fitted	LABEL1	1	Label PCB	ACT Logmark AS	505462	PCBA identification label PPTop White Gloss
Fitted	PCB1	1	ATmega328PB-XMIN PCB			A Tmega328PB-XMIN PCB documentation
Fitted	PCBADC1	1	A09-2523 PCB			mega328PB Xplained Mini PCB documentation
Fitted	Q101	1	IRLML6402	International Rectifier	IRLML6402PBF	P-ch. MOSFET, -30V, -3.7A continuous RDS(ON)=0.05Ohm@VGS=4.5V, RDS(ON)=0.08Ohm@VGS=2.5V
Fitted	Q102	1	2N7002.215	NXP	2N7002 215	N-Channel MOSFET, 60V, 0.300A continuous, 1.2A Peak RDS(ON) = 3.80hm@VGS=4.5V, VGS(th)<2.5V
Fitted	R101, R102	2	22R	Samsung	RC100SF22R0CS	Thick film resistor, SMD 0402, 1/16W, 1% (ds23607)
Fitted	R103	1	3.3k	ASJ	CR10-3301-FK	Thick film resistor, SMD 0402, 1/16W, 1%
Fitted	R104, R105, R117, R118, R209, R210, R211	7	100k	ASJ	CR10-1003-FK	Thick film resistor, SMD 0402, 1/16W, 1%
Fitted	R107, R108, R200	3	1k	ASJ	CR10-1001-FK	Thick film resistor, SMD 0402, 1/16W, 1%
Fitted	R109, R111, R112, R113	4	330R	ASJ	CR10-3300-FK	Thick film resistor, SMD 0402, 1/16W, 1%
Fitted	R110, R300, R301	3	0R	(n/a)	RMCF0402Z70R00	RES 0.0 OHM 1/16W 0402 SMD
Fitted	R114	1	680R	ASJ	CR10-6800-FK	Thick film resistor, SMD 0402, 1/16W, 1%
Fitted	SW200	1	SKRAAKE010	ALPS	SKRAAKE010	6.2x6.2 mm SMD tact sw tch, same as A08-0091 but less force is needed
Fitted	TEST1	1	Test SW for A09-2523			Test SW for A09-2523, ATmega328PB Xplained Mini
Fitted	TESTDOC1	1	Xplained Mini Test Instructions			Fixture Test Instructions for Xplained Mini
Fitted	U100	1	ATmega32U4-MUR	ATMEL	ATmega32U4-MUR	ATmega32U4 QFN package
Fitted	U200	1	ATmega328PB-MUR	ATMEL	ATmega328PB-MUR	32k AVR with ADC/TWRS-232
Fitted	U300	1	LP2985-33DBV	Texas Instruments	LP2985-33DBV	LDO 3.3V 150mA SOT23-5 1.5% (cer. cap)
Fitted	XC100	1	16.0MHz	Epson Toyocom	TSX-3225 16.000MF09Z-AC3	16MHz uXtal, 3.2 x 2.5 mm SMD, CL=9pF, 15PPM ESR=80ohm(Max)
Not Fitted	C110	0	4.7n	PHYCOMP	2238 587 15632	Ceramic capacitor, SMD 0402, X7R, 25V, +/-10% (de35287)
Not Fitted	J100	0	PIN HEADER 2x5	Garry	176-2-010-0-T-XSO-0730	2x5 pin header, 1.27mm pitch, THM
Not Fitted	J104	0	HMTSW-102-23-F-S-237	SAMTEC	HMTSW-102-23-F-S-237	1x2 pin header, 2.54mm pitch, Pin-in-Paste THM
Not Fitted	J200	0	SSQ-110-21-F-S	SAMTEC	SSQ-110-21-F-S	1x10 receptacle pin header, low insertion force, 2.54mm pitch THM Pin in Paste
Not Fitted	J201, J202	0	SSQ-108-21-F-S	SAMTEC	SSQ-108-21-F-S	1x8 receptacle pin header, low insertion force, 2.54mm pitch THM Pin in Paste
Not Fitted	J203	0	SSQ-106-21-F-S	SAMTEC	SSQ-106-21-F-S	1x6 receptacle pin header, low insertion force, 2.54mm pitch THM
Not Fitted	J204	0	MTSW-103-08-L-D-276	SAMTEC	MTSW-103-08-L-D-276	2x3 pin header, 2.54 mm pitch, THM
Not Fitted	J300, J301	0	HMTSW-103-23-F-S-237	SAMTEC	HMTSW-103-23-F-S-237	1x3 pin header, 2.54mm pitch, Pin-in-Paste THM, 1mm hole
Not Fitted	R115	0	1M	ASJ	CR10-1004-FK	Thick film resistor, SMD 0402, 1/16W, 1%
Not Fitted	R212, R302	0	0R	(n/a)	RMCF0402Z70R00	RES 0.0 OHM 1/16W 0402 SMD

Approved

Notes