

TIMERS/COUNTERS

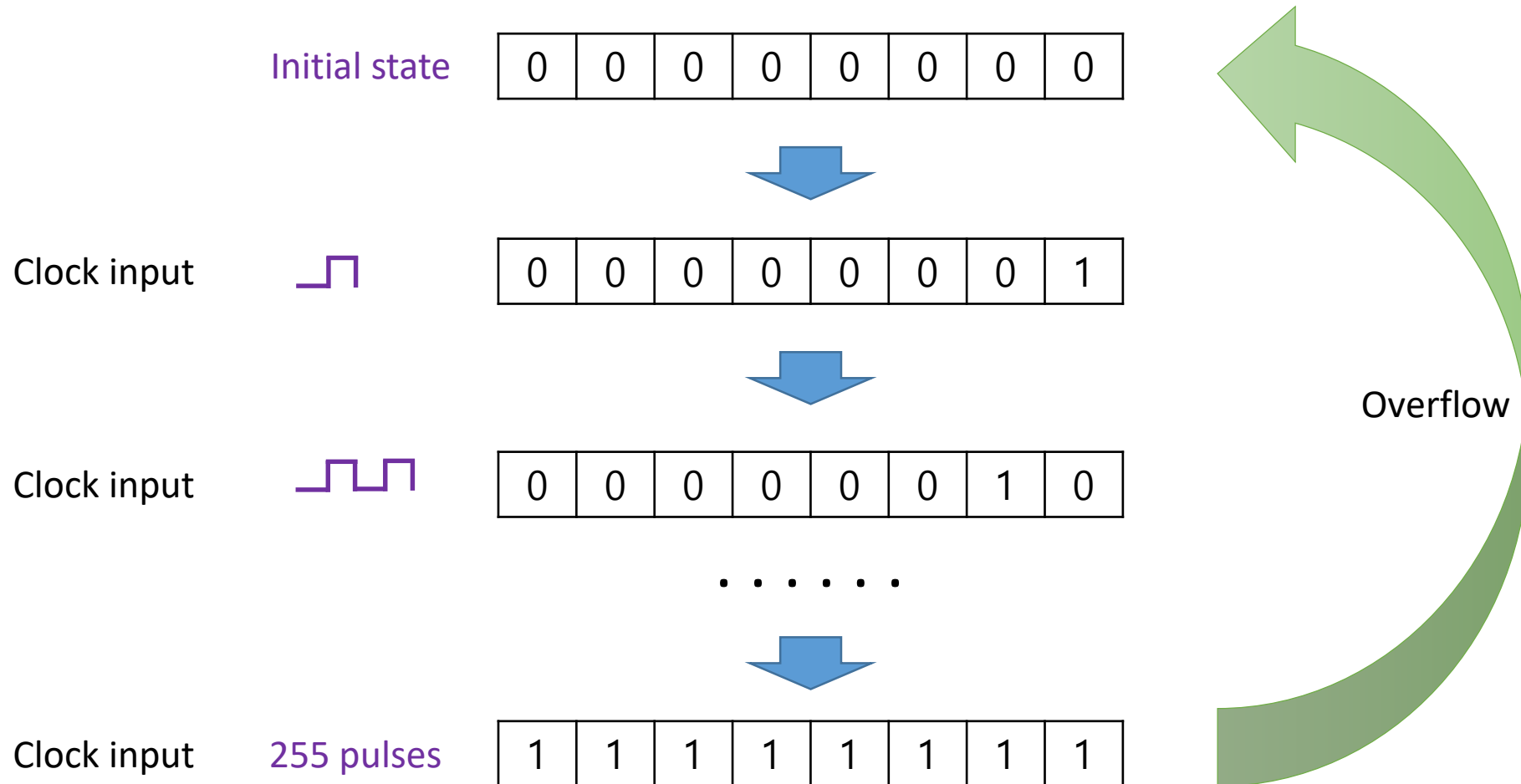
ATmega328P(B) Timers/Counters

	Width (bits)	ATmega328P	ATmega328PB
Timer/Counter0	8	○	○
Timer/Counter1	16	○	○
Timer/Counter2	8	○	○
Timer/Counter3	16	X	○
Timer/Counter4	16	X	○

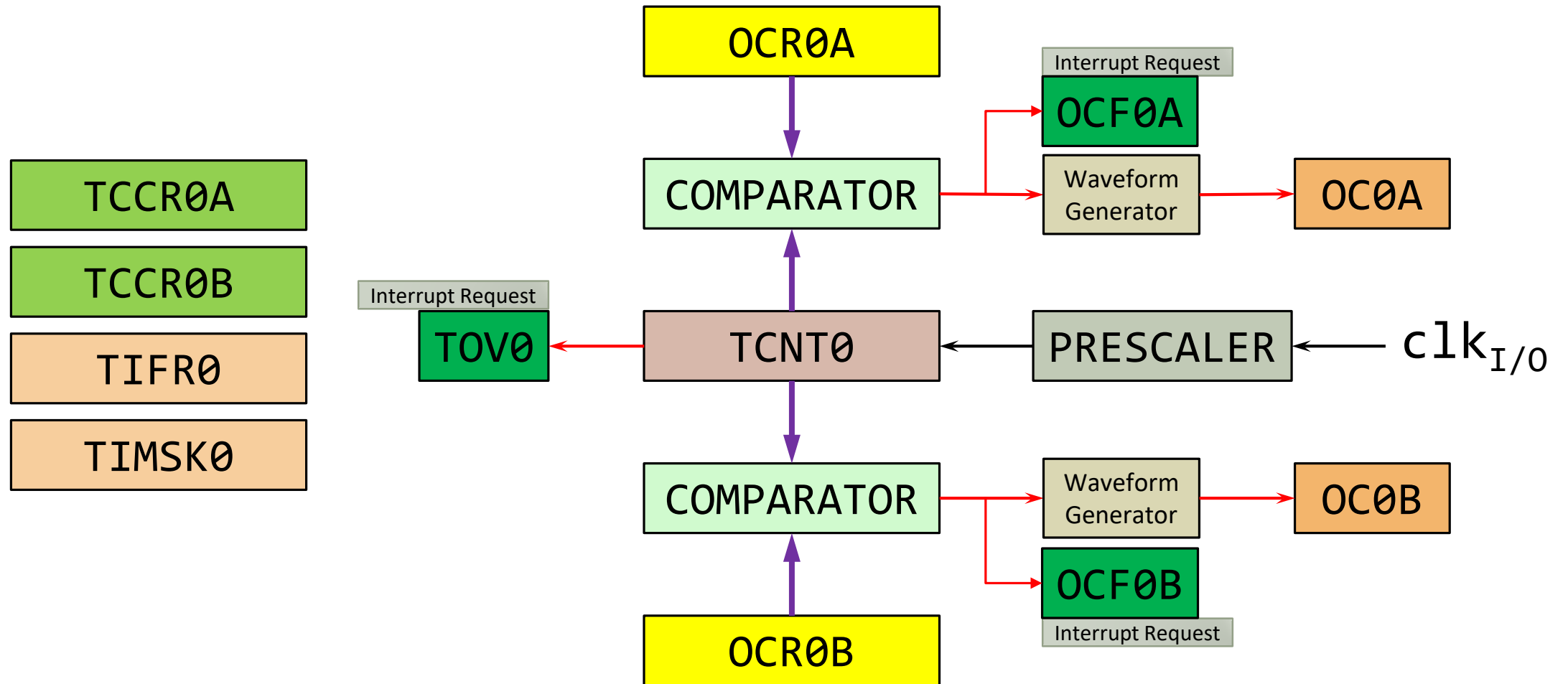
Timer/Counter Applications

- To do some works periodically. (CTC mode)
- To control load current/voltage. (PWM)
- To count external event. (Normal)

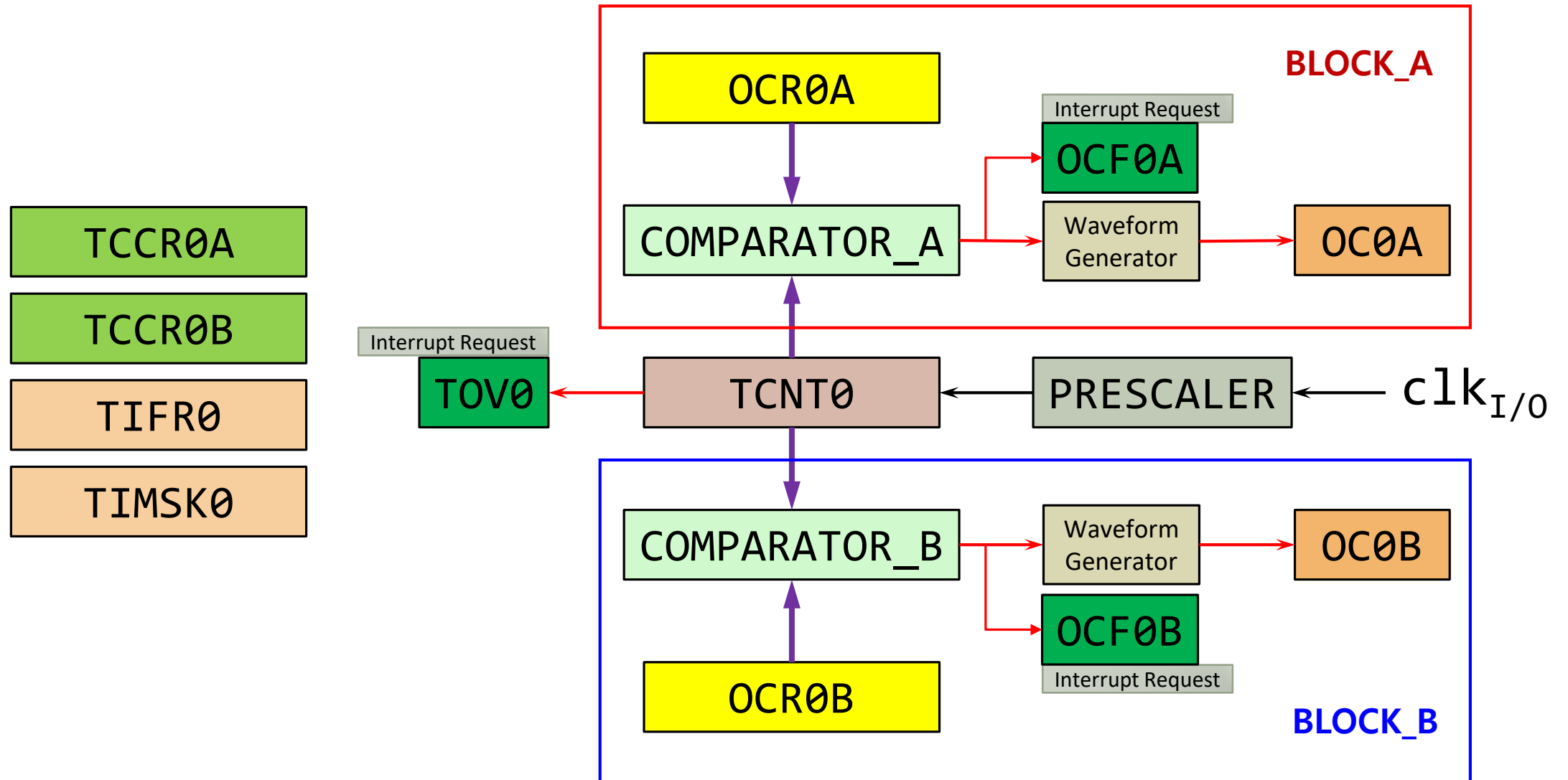
8-Bit Timer/Counter Basics



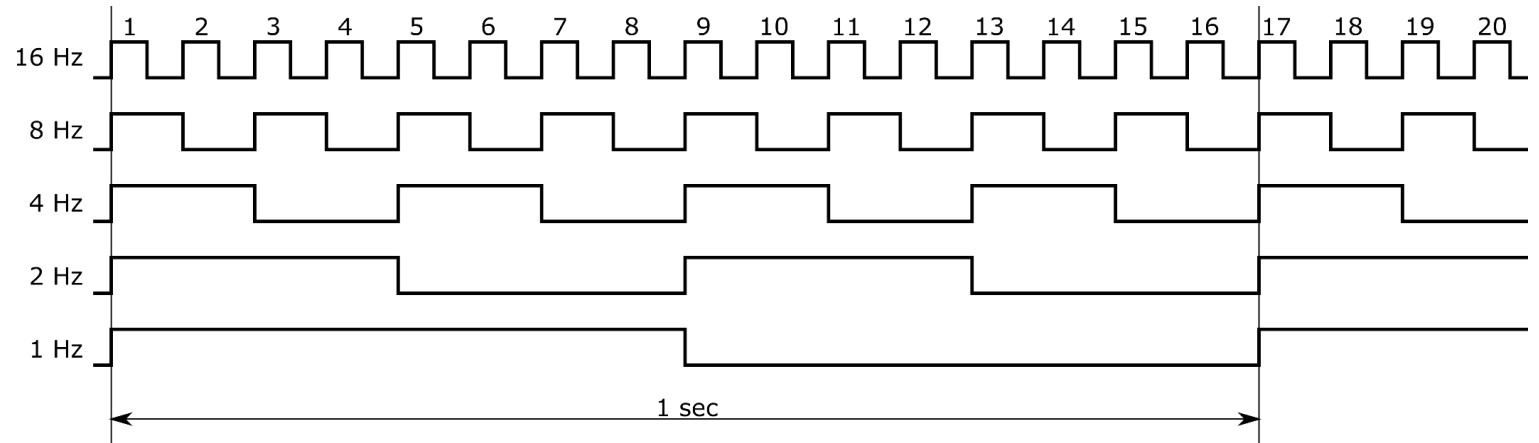
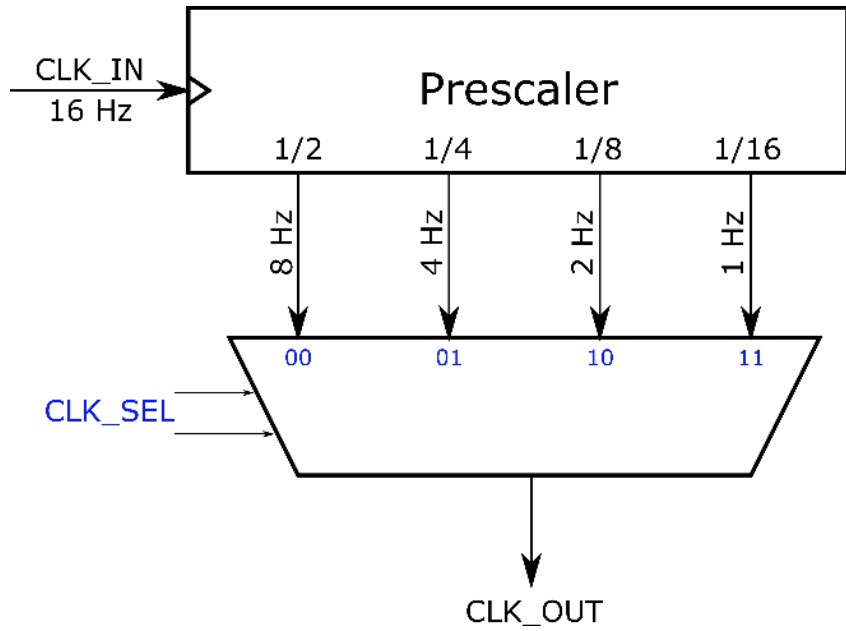
ATmega328PB Timer/Counter0 Block Diagram



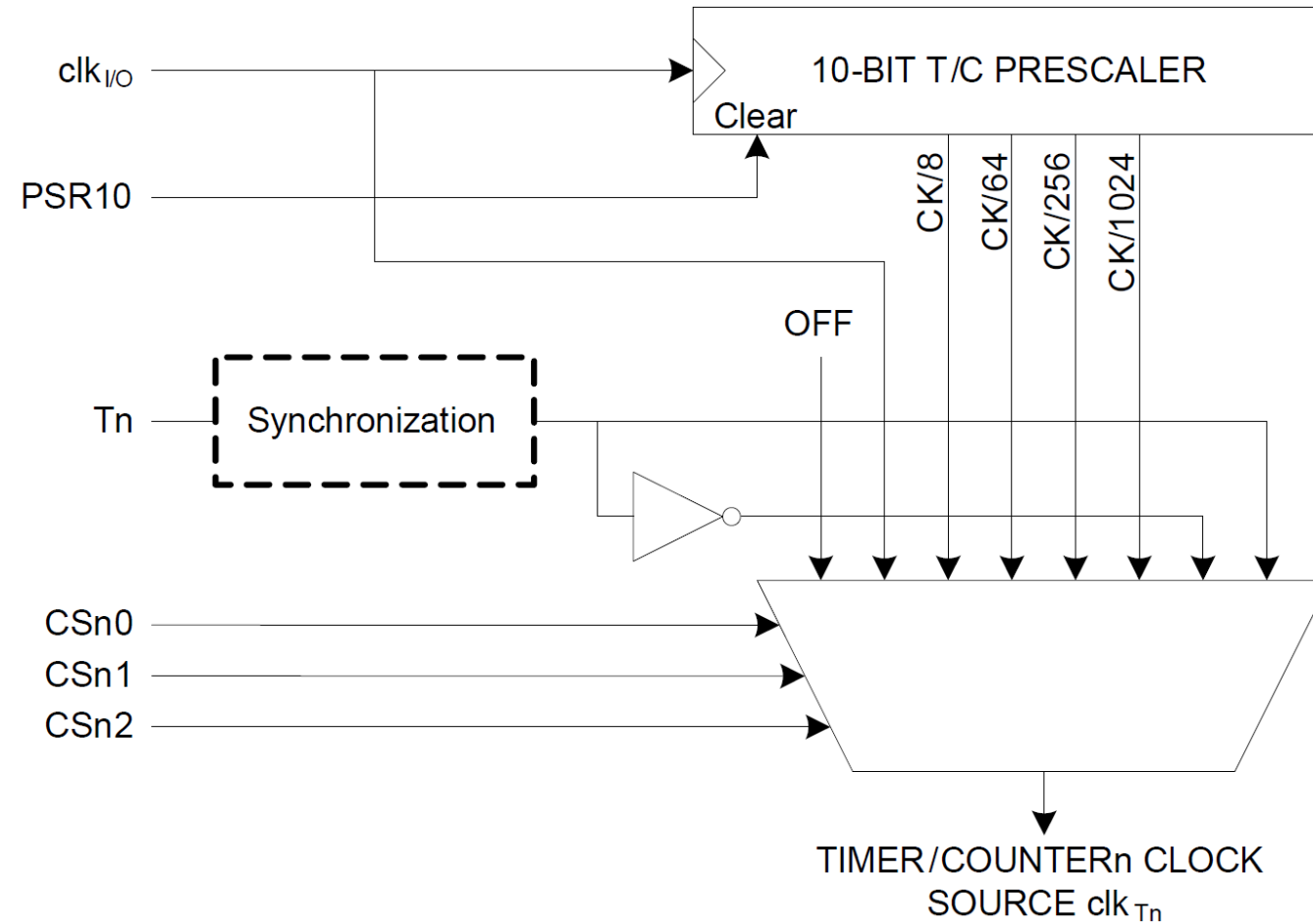
ATmega328PB Timer/Counter0 Block Diagram



What is a Prescaler?



Prescaler for Timer/Counter0, 1, 3, 4



8-bit Timer/Counter0

Mode of Operation

- Determines the behavior of the Timer/Counter and the Output Compare pins.
- Defined by `WGM0[2:0]` in `TCCR0B[3]` and `TCCR0A[1:0]` registers.

`MAX` = 0xFF
`BOTTOM` = 0x00

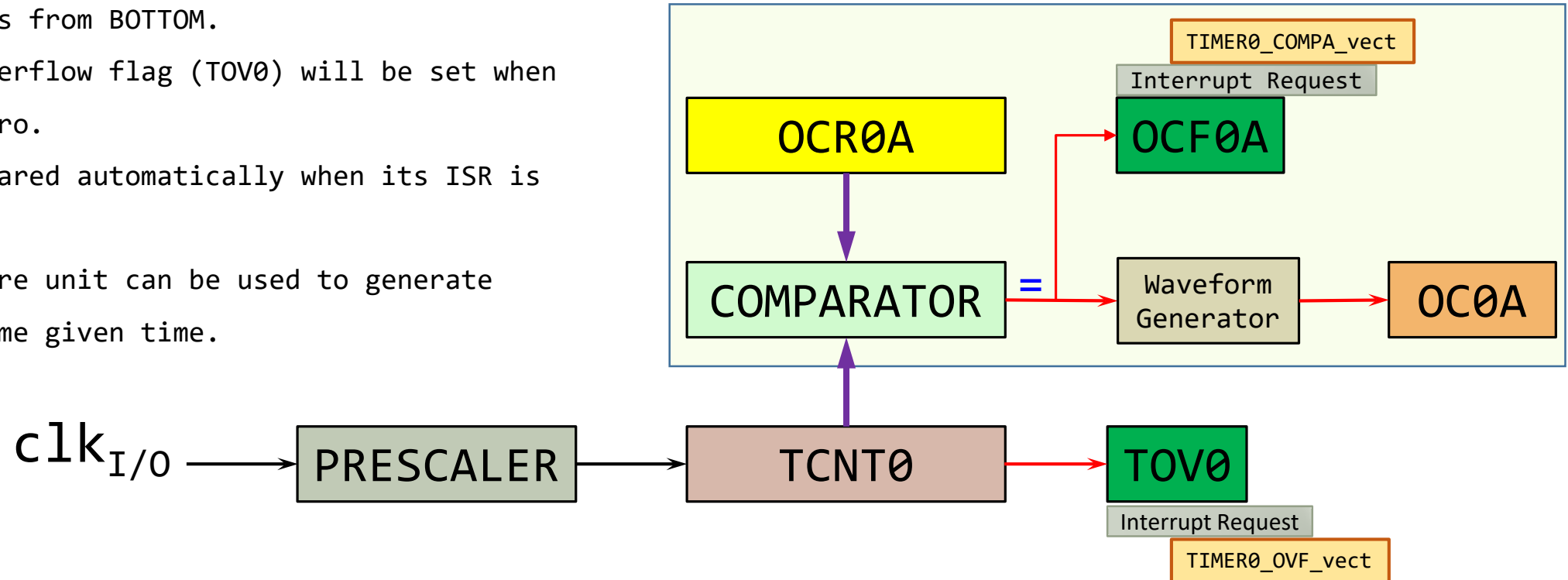
Mode	WGM0[2]	WGM0[1]	WGM0[0]	Mode of Operation	TOP	Update of OCR0x at	TOV flag set on
0	0	0	0	Normal	0xFF	Immediate	MAX
1	0	0	1	Phase Correct PWM	0xFF	TOP	BOTTOM
2	0	1	0	CTC	OCR0A	Immediate	MAX
3	0	1	1	Fast PWM	0xFF	BOTTOM	MAX
4	1	0	0	Reserved	-	-	-
5	1	0	1	Phase Correct PWM	OCR0A	TOP	BOTTOM
6	1	1	0	Reserved	-	-	-
7	1	1	1	Fast PWM	OCR0A	BOTTOM	TOP

Timer/Counter0

Normal mode

Normal Mode: Simple Counter

- $WGM0[2:0] = 0b000$
- TCNT0 always counts from BOTTOM (0x00) to TOP (0xFF) and then restarts from BOTTOM.
- Timer/Counter Overflow flag (TOV0) will be set when TCNT0 becomes zero.
- TOV0 flag is cleared automatically when its ISR is executed.
- The output compare unit can be used to generate interrupts at some given time.



Timer/Counter0

CTC mode

(Clear Timer on Compare Match mode)

Mode of Operation

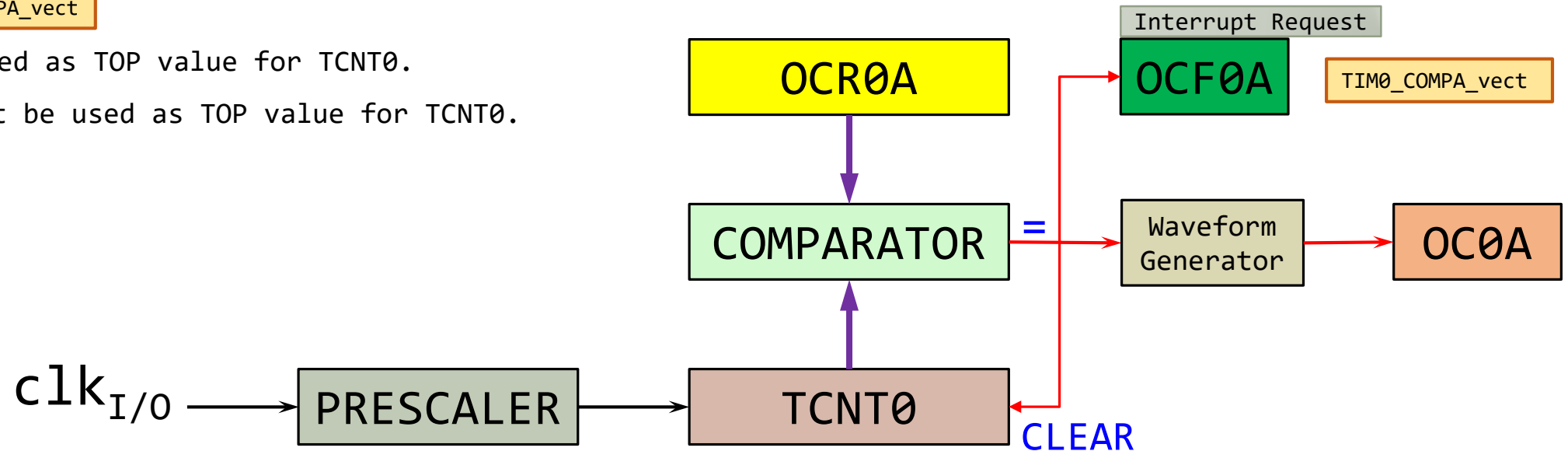
- Determines the behavior of the Timer/Counter and the Output Compare pins.
- Defined by `WGM0[2:0]` in `TCCR0B[3]` and `TCCR0A[1:0]` registers.

`MAX` = 0xFF
`BOTTOM` = 0x00

Mode	WGM0[2]	WGM0[1]	WGM0[0]	Mode of Operation	TOP	Update of OCR0x at	TOV flag set on
0	0	0	0	Normal	0xFF	Immediate	MAX
1	0	0	1	Phase Correct PWM	0xFF	TOP	BOTTOM
2	0	1	0	CTC	OCR0A	Immediate	MAX
3	0	1	1	Fast PWM	0xFF	BOTTOM	MAX
4	1	0	0	Reserved	-	-	-
5	1	0	1	Phase Correct PWM	OCR0A	TOP	BOTTOM
6	1	1	0	Reserved	-	-	-
7	1	1	1	Fast PWM	OCR0A	BOTTOM	TOP

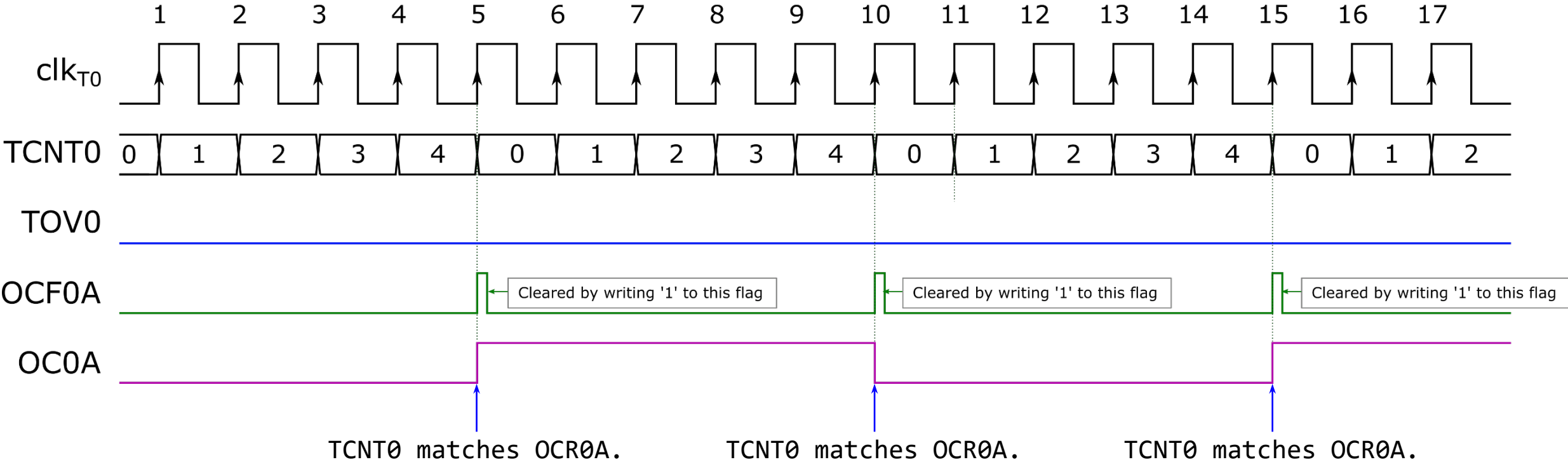
CTC Mode: Clear Timer on Compare Match (1)

- $WGM0[2:0] = 0b010$
- TCNT0 repeats counting from 0 to the value of OCR0A register.
- When TCNT0 value matches OCR0A value,
 - ✓ OC0A output can be set to toggle. (when COM0A[1:0]=0b01)
 - ✓ OCF0A flag is set and an interrupt can be generated.
 - TIM0_COMPA_vect
- Only OCR0A is used as TOP value for TCNT0.
 - ✓ OCR0B cannot be used as TOP value for TCNT0.



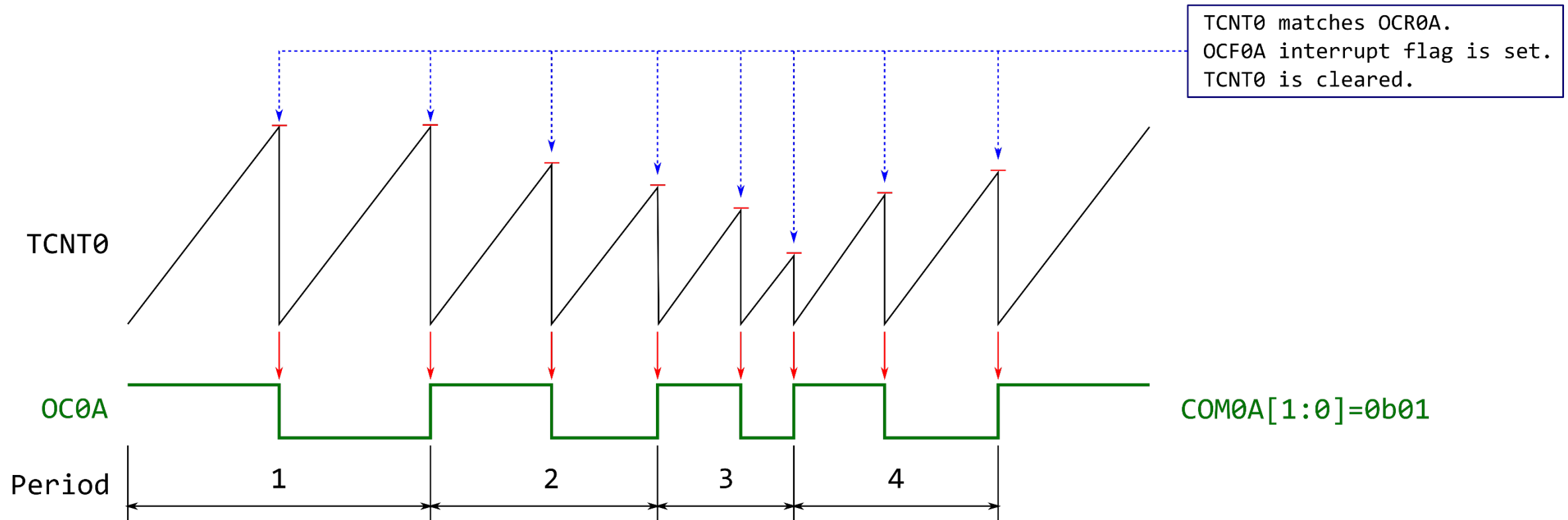
CTC Mode: Clear Timer on Compare Match (2)

Clear Timer on Compare Match (TOP=OCR0A=4, Ext. Clock)



CTC Mode: Clear Timer on Compare Match (3)

- $WGM0[2:0] = 0b010$
- TCNT0 repeats counting from 0 to the value of OCR0A register.
- When TCNT0 value matches OCR0A value,
 - ✓ OC0A output can be set to toggle. (when $COM0A[1:0]=0b01$)
 - ✓ OCF0A interrupt flag is set and interrupt can be generated.



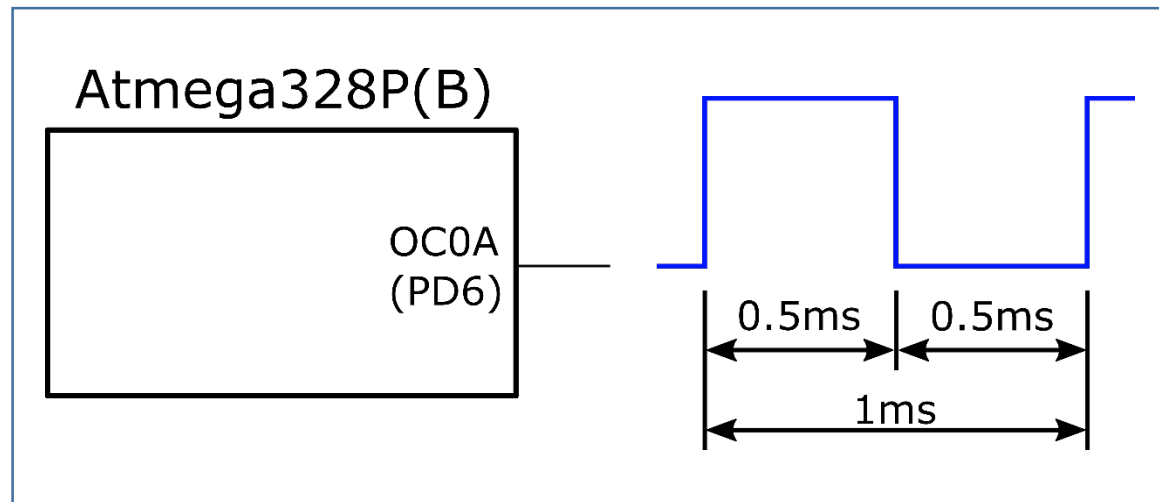
Timer/Counter0

CTC Example 1

Timer/Counter0 CTC Example 1 (1)

Waveform Generation

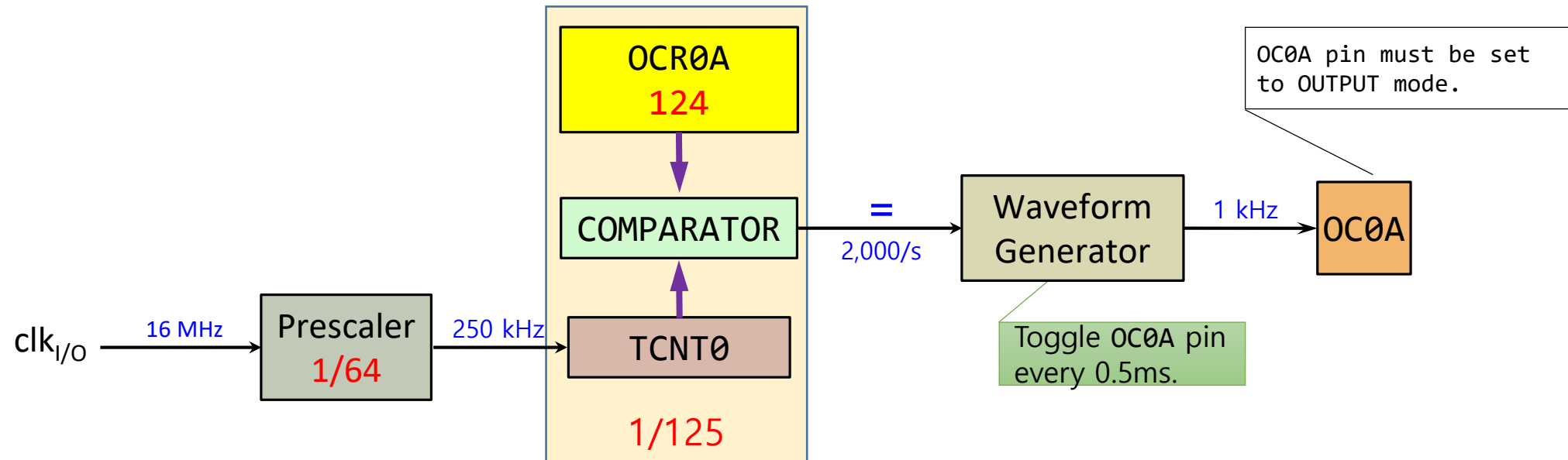
- Make an application which generates 1 kHz rectangular wave on OC0A (PD6).
- Use Timer/Counter0 CTC mode.
- Assume that system clock frequency is 16 MHz.



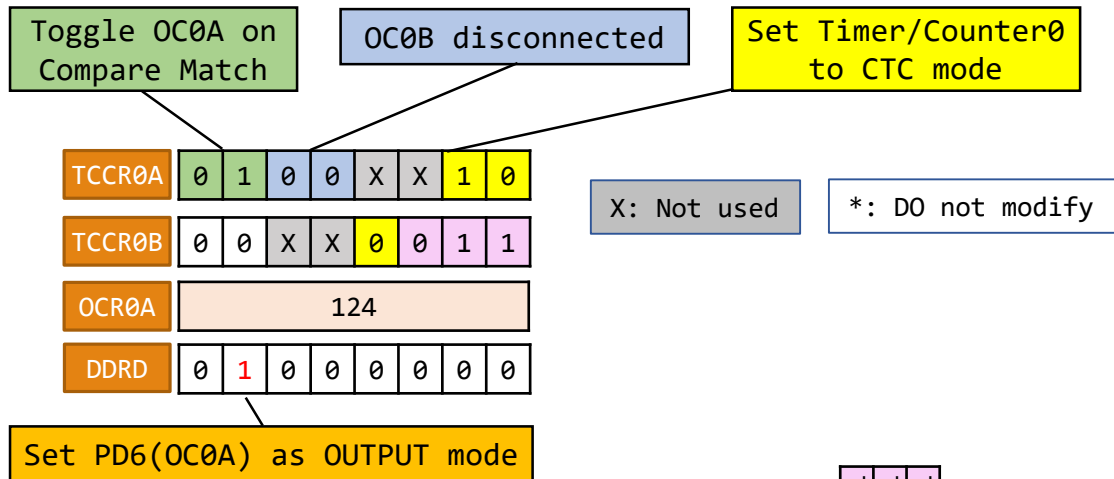
Timer/Counter0 CTC Example 1 (2)

Waveform Generation

- Make an application which generates 1 kHz rectangular wave on OC0A (PD6).
- Use Timer/Counter0 CTC mode. (Assume that system clock frequency is 16 MHz)

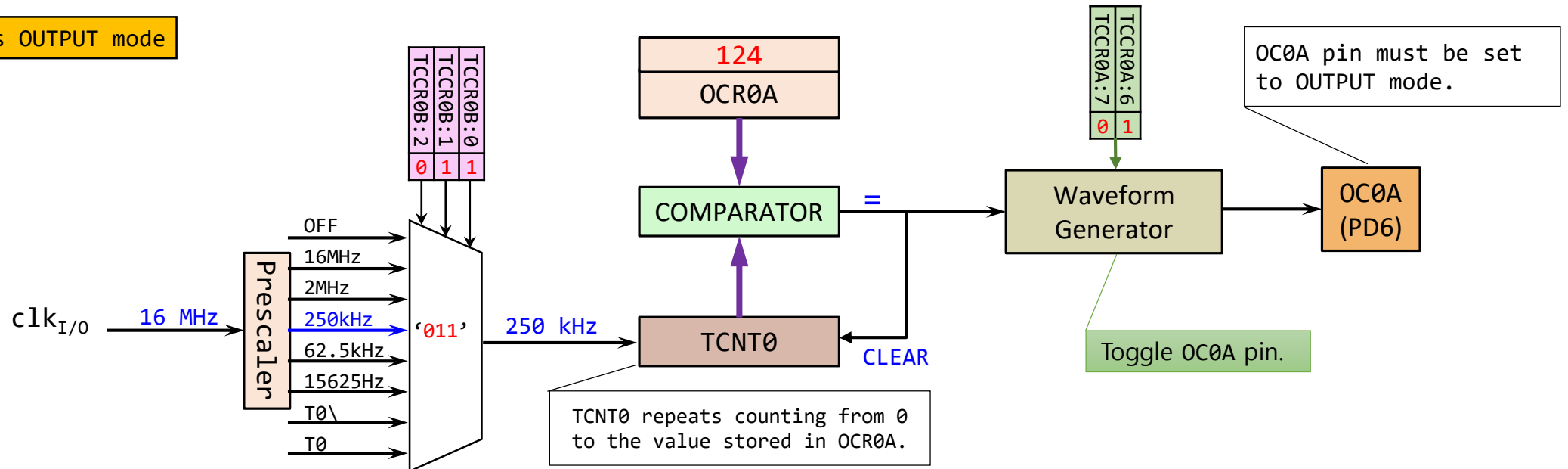


Timer/Counter0 CTC Example 1 (3)



Waveform Generation

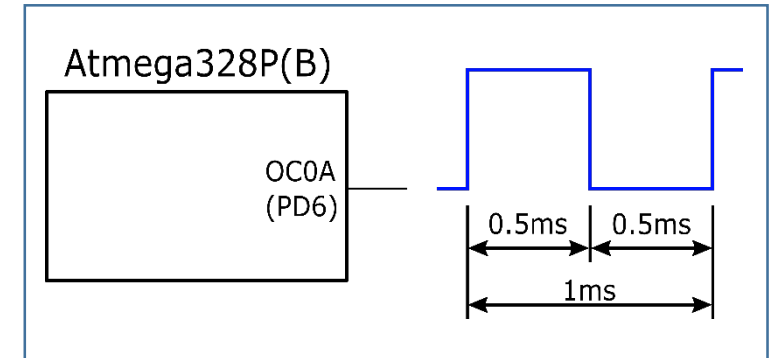
- Make an application which generates 1 kHz rectangular wave on OC0A (PD6).
- Use Timer/Counter0 CTC mode.
- Assume that system clock frequency is 16 MHz.



Timer/Counter0 CTC Example 1 (4)

Make an application which generates 1 kHz rectangular wave on OC0A (PD6).

```
/* timer0_ctc_oc0a_1khz.c */  
  
#include <avr/io.h>  
  
int main(void)  
{  
    DDRD  = (1 << DDD6);    // Set PD6 (OC0A) to OUTPUT mode  
    TCCR0A = 0b01000010;    // Set Timer/Counter0 to CTC mode. Toggle OC0A.  
    TCCR0B = 0b00000011;    // select Prescaler division ratio. 1/64  
    OCR0A  = 124;  
  
    while (1)  
    { /* do nothing */ }  
}
```

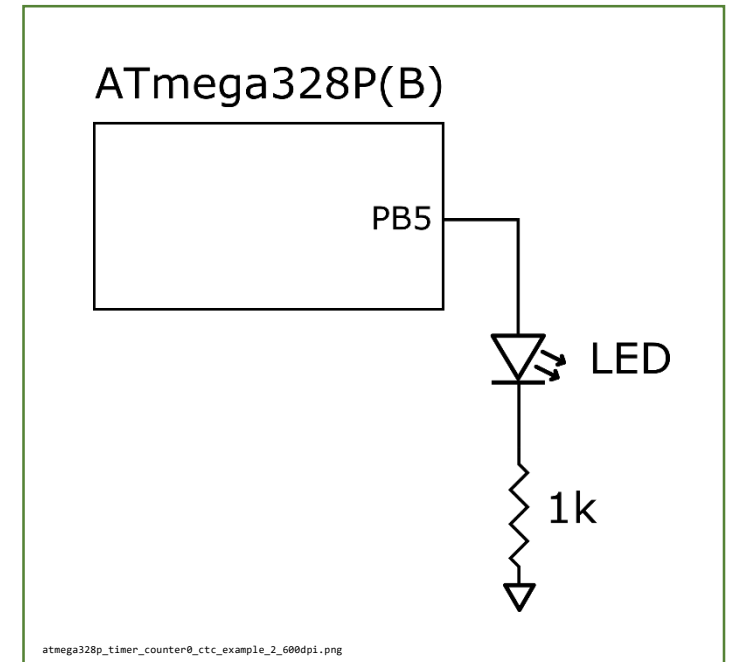


Timer/Counter0

CTC Example 2

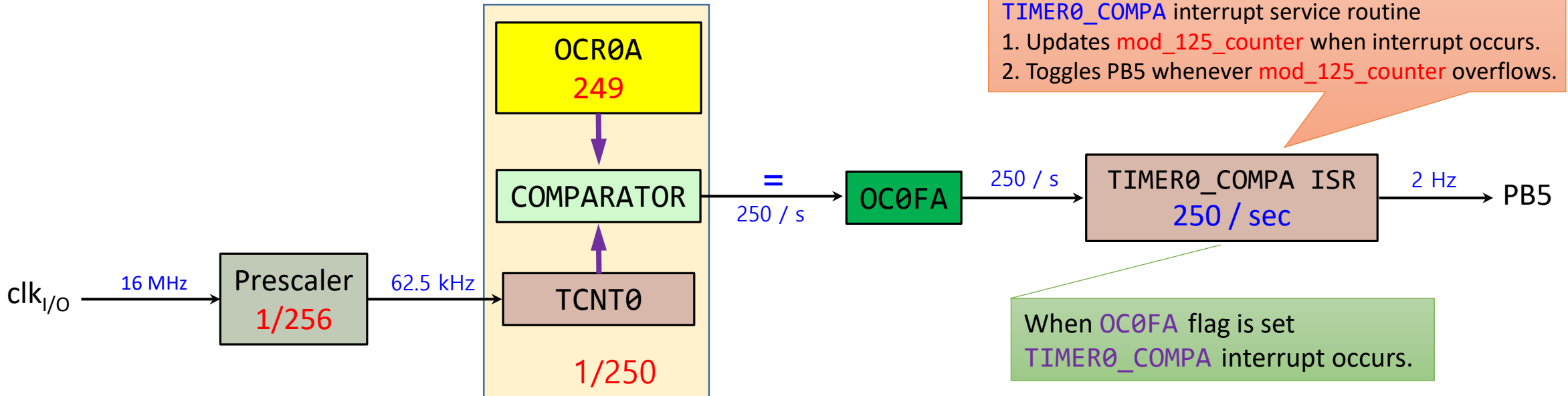
Timer/Counter0 CTC Example 2 (1)

- Make an application which toggles the LED connected to PB5 every 500 msec using Timer/Counter0.
- Use Timer/Counter0 Output Compare Match A Interrupt.
- Assume that system clock frequency is 16 MHz.

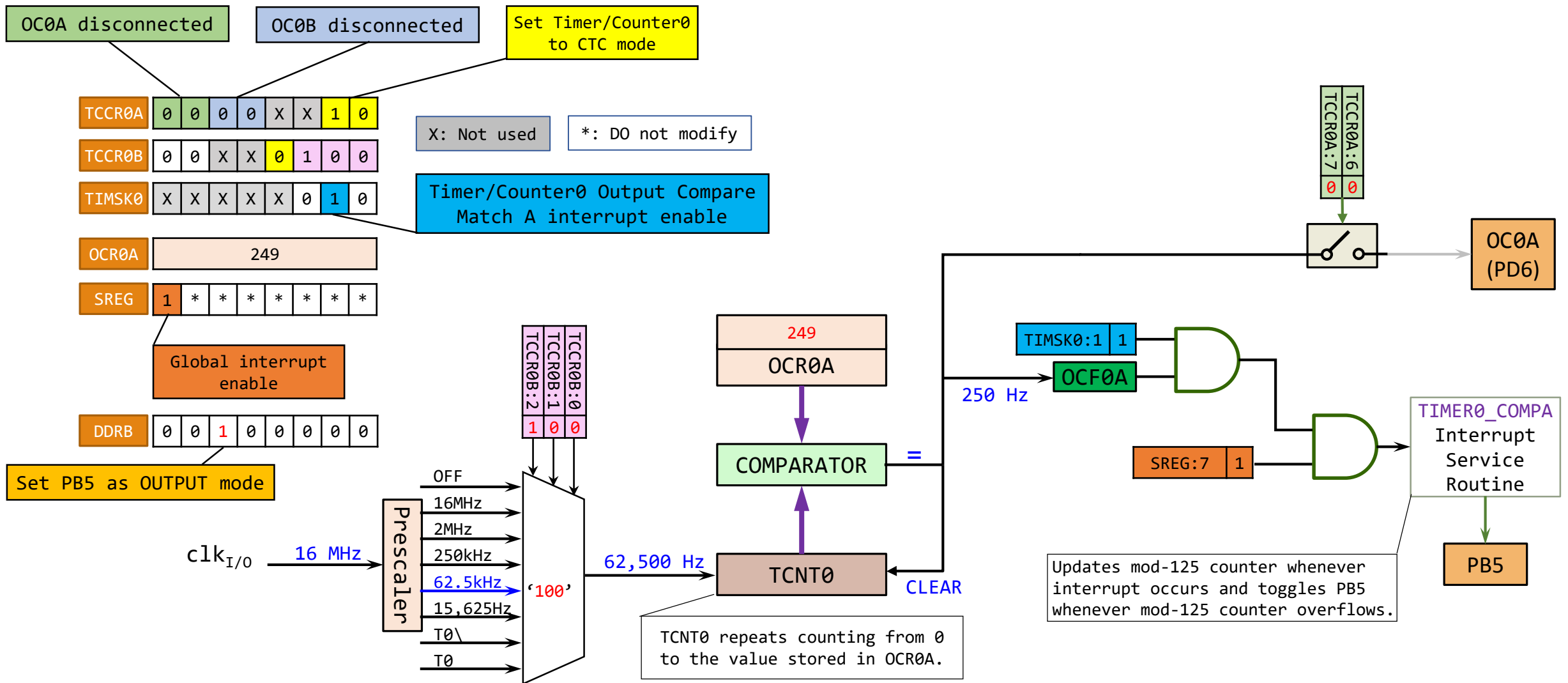


Timer/Counter0 CTC Example 2 (2)

CTC: Clear Timer on Compare Match.



Timer/Counter0 CTC Example 2 (3)

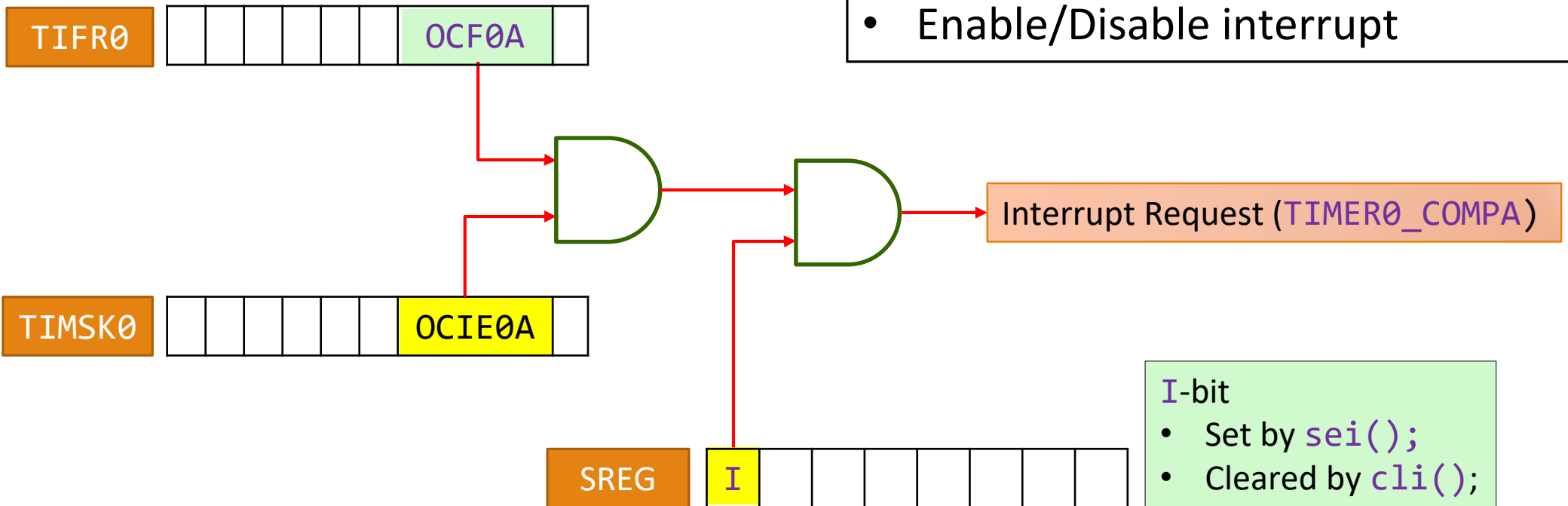


Timer/Counter0 Output Compare Match A Interrupt

OCF0A flag is

- Set when TCNT0 and OCR0A matches.
- Cleared when executing ISR.

- Interrupt
- Interrupt Vector
- Interrupt Service Routine (ISR)
- Enable/Disable interrupt



I-bit

- Set by `sei()`;
- Cleared by `cli()`;

Timer/Counter0 CTC Example 2 (4)

Make an application which toggles the LED every 500 ms using Timer/Counter0.

```
/* timer0_ctc_toggle_pb5_500ms.c */

#include <avr/io.h>
#include <avr/interrupt.h>

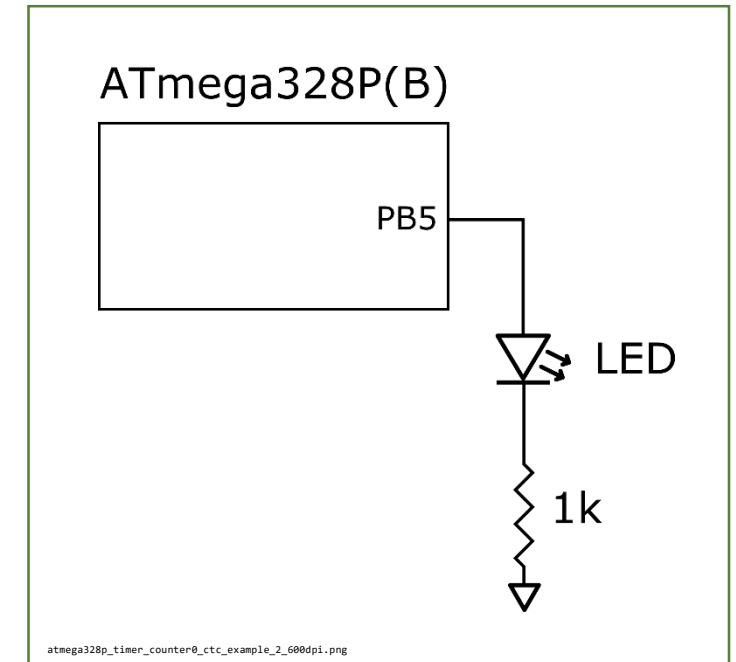
int main(void)
{
    DDRB  = (1 << DDB5);    // Set PB5 to OUTPUT mode
    TCCR0A = 0b00000010;    // Set Timer/Counter0 to CTC mode. Disconnect OC0A and OC0B
    TCCR0B = 0b00000100;    // select Prescaler division ratio. 1/256
    OCR0A  = 249;           // set Time/Counter0 TOP value.

    TIMSK0 = 0b00000010;    // Timer/Counter0 Output Compare Match A interrupt enable.
    sei();                  // Enable global interrupt

    while (1)
    { /* do nothing */ }
}

ISR(TIMERO_COMP_A_vect)    // Timer/Counter0 Output Compare Match A interrupt service routine
{
    static unsigned char mod_125_counter = 0;

    mod_125_counter++;      // Update mod-125 counter
    if (mod_125_counter == 125) // If mod-125 counter reaches 125
    {
        PINB |= (1 << PINB5); // Toggle PB5
        mod_125_counter = 0;   // Clear mod-125 counter
    }
}
```

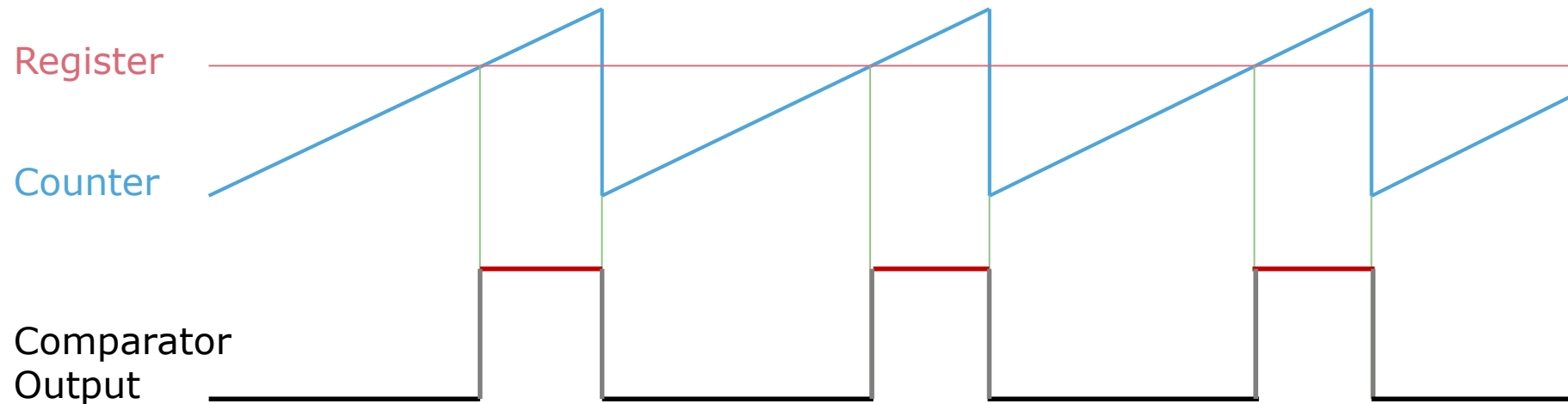
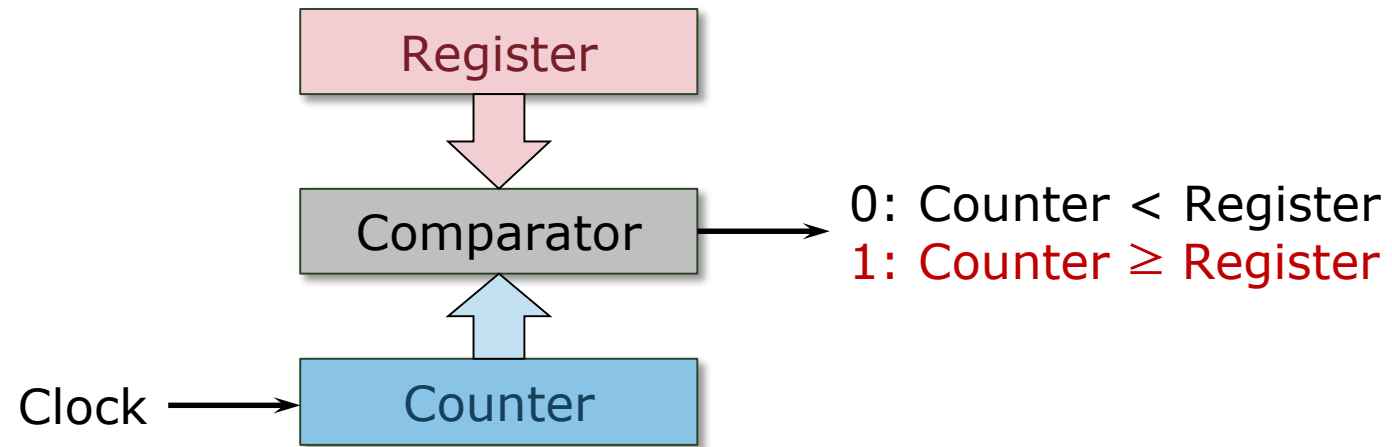


Timer/Counter0

Fast PWM mode

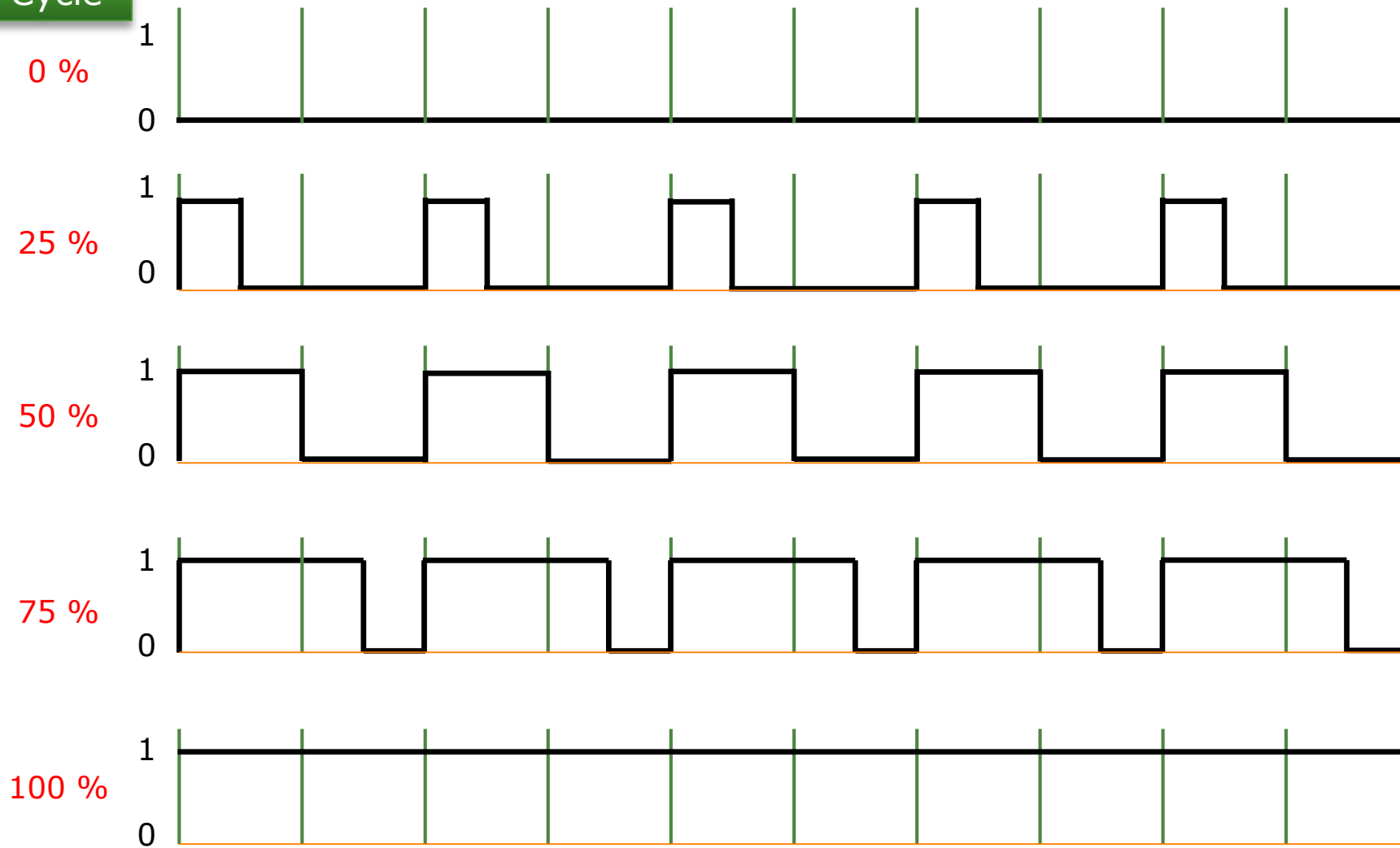
(Fast Pulse Width Modulation mode)

Pulse Width Modulation (PWM)



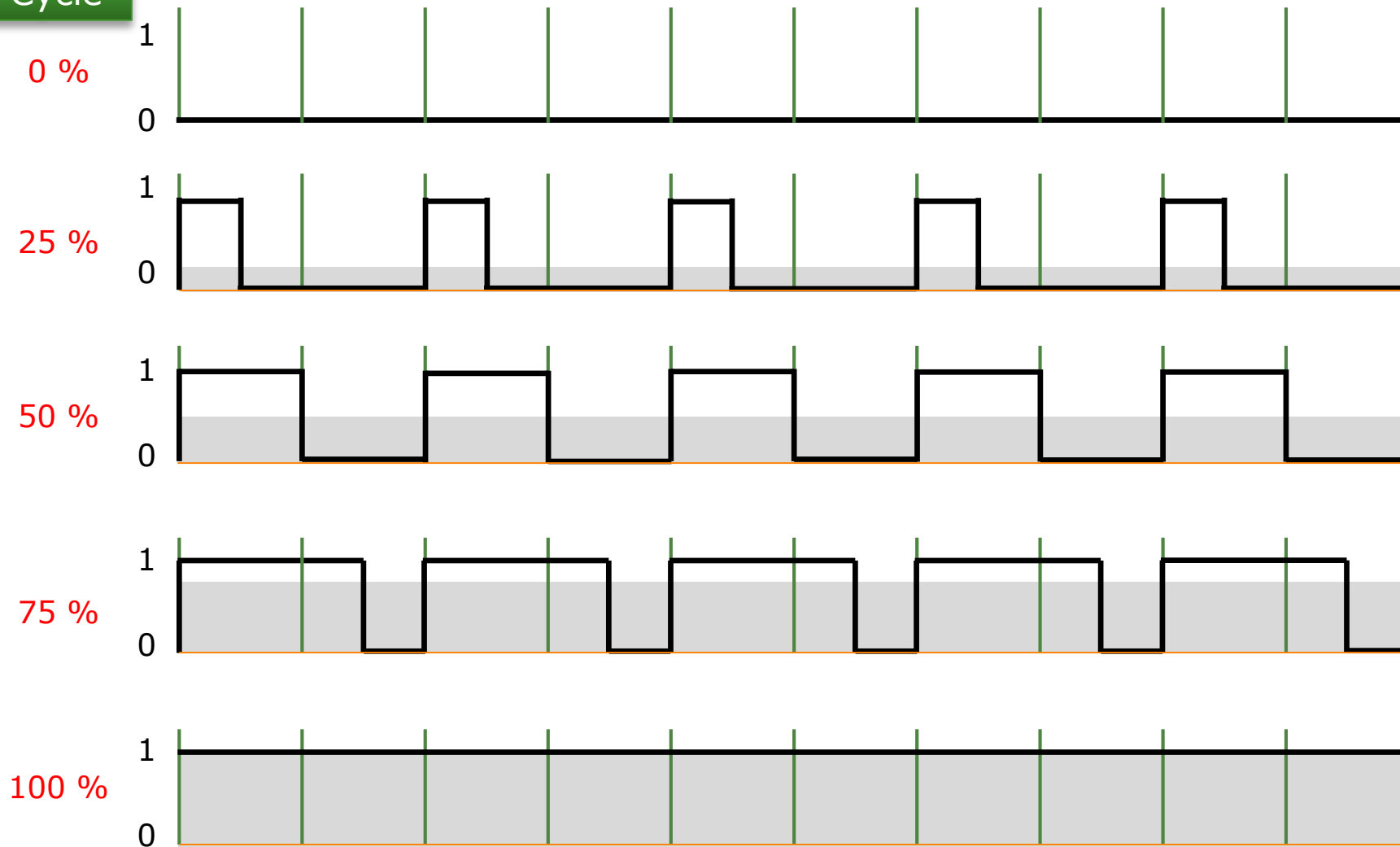
Pulse Width Modulation (PWM)

Duty Cycle



Pulse Width Modulation (PWM)

Duty Cycle

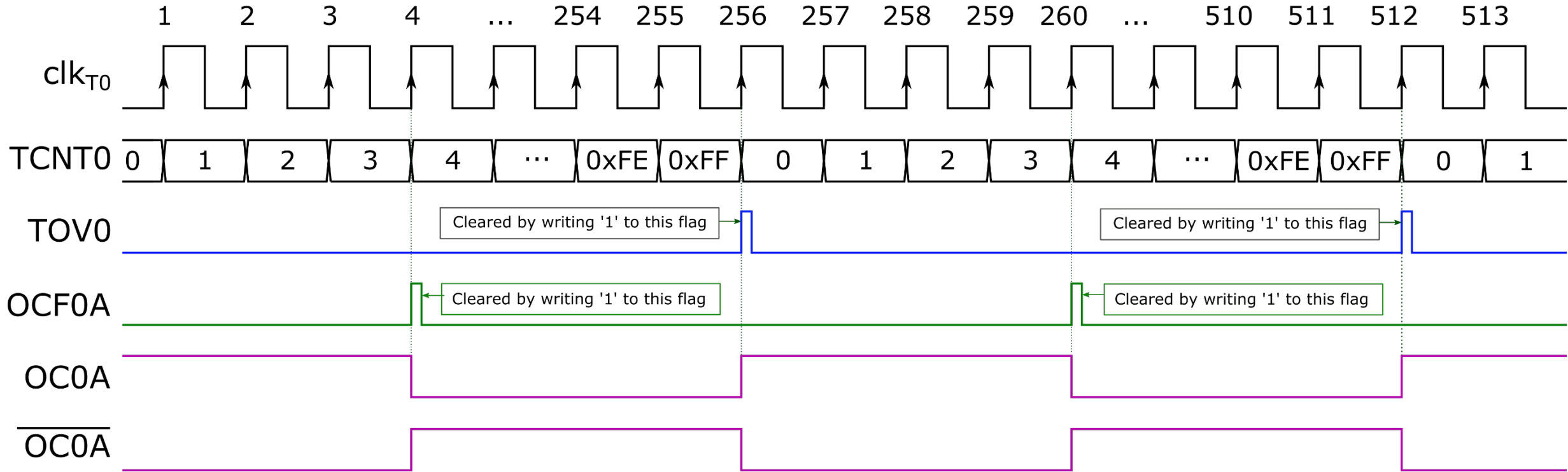


Timer/Counter0 Fast PWM Mode (1)

- $WGM0[2:0]=0b011$ or $WGM0[2:0]=0b111$
- The counter(TCNT0) counts from BOTTOM to TOP, then restarts from BOTTOM.
 - ✓ BOTTOM is always 0.
 - ✓ TOP is
 - $0xFF$ when $WGM[02:00]=0b011$.
 - $OCR0A$ when $WGM[02:00]=0b111$.
- The Timer/Counter Overflow Flag (TOV0) is set each time the counter reaches TOP.
 - ✓ If the interrupt is enabled, the interrupt handler routine(`TIMER0_OVF_vect`) can be used for updating the compare value.
- Two types of PWM signals can be available
 - ✓ Invert: $COM0A[1:0]=0b11$
 - ✓ Non-invert: $COM0A[1:0]=0b10$

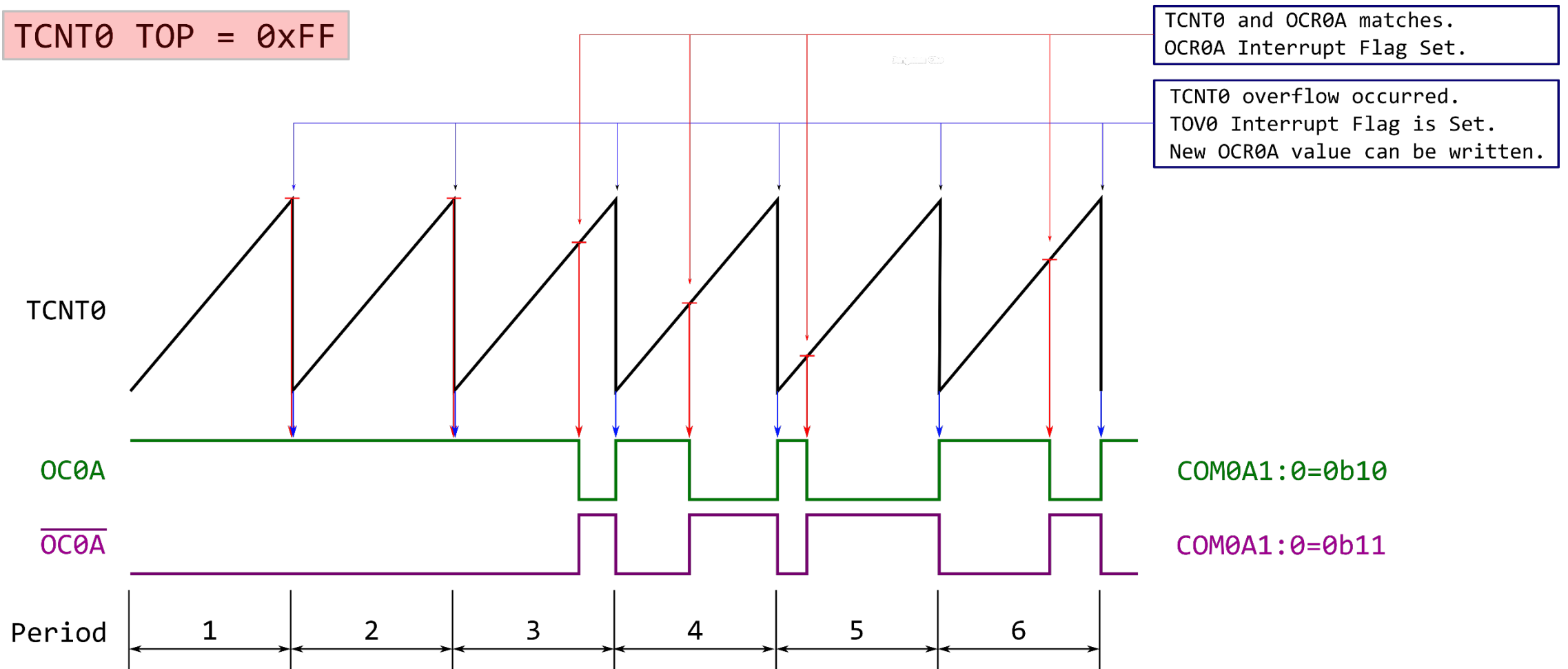
Timer/Counter0 Fast PWM Mode (2)

Fast PWM (TOP=0xFF, OCR0A=3, Ext. Clk(T0))



Timer/Counter0 Fast PWM Mode (3)

TCNT0 TOP = 0xFF



Timer/Counter0

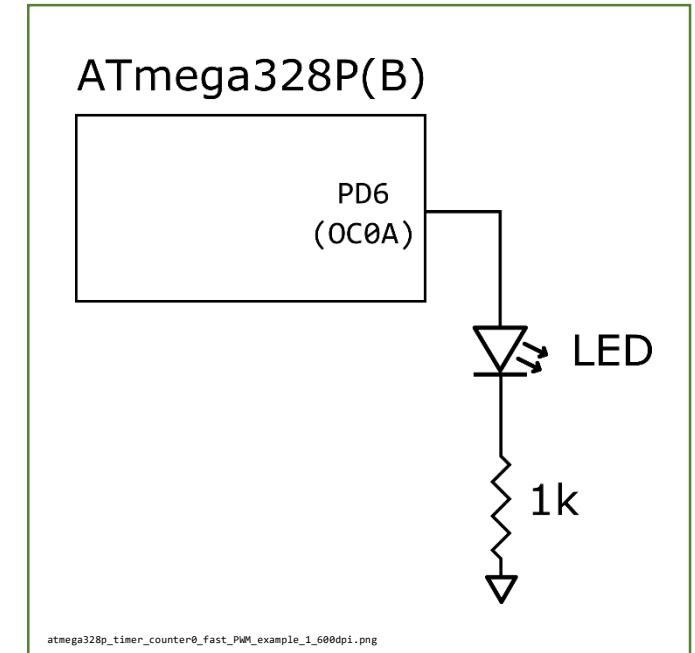
Fast PWM Example 1

(Single Channel / Fixed Duty Cycle)

Timer/Counter0 Fast PWM Example 1 (1)

Make an application which generates single PWM signal.

- PWM signal drives an LED connected to OC0A (PD6).
- Duty cycle: 50% (fixed).
- PWM frequency: 244.14Hz (fixed)

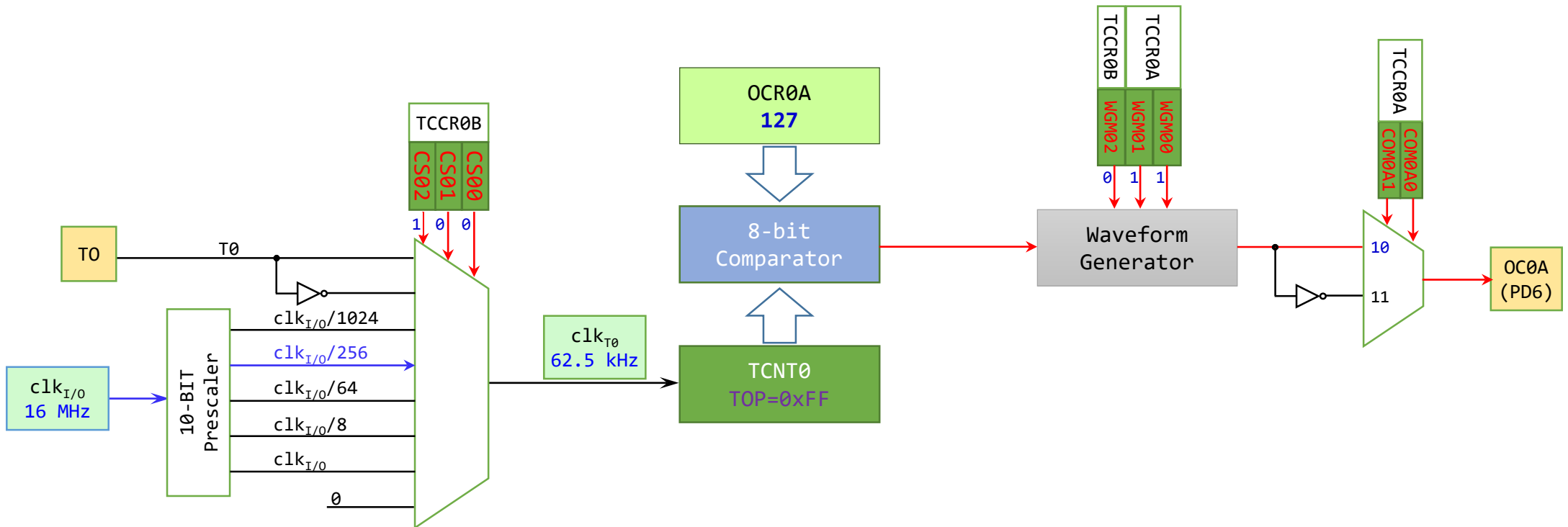


Timer/Counter0 Fast PWM Example 1 (2)

TCNT0 TOP = 0xFF

PWM frequency = $62.5\text{kHz}/256 = 244.14\text{Hz}$

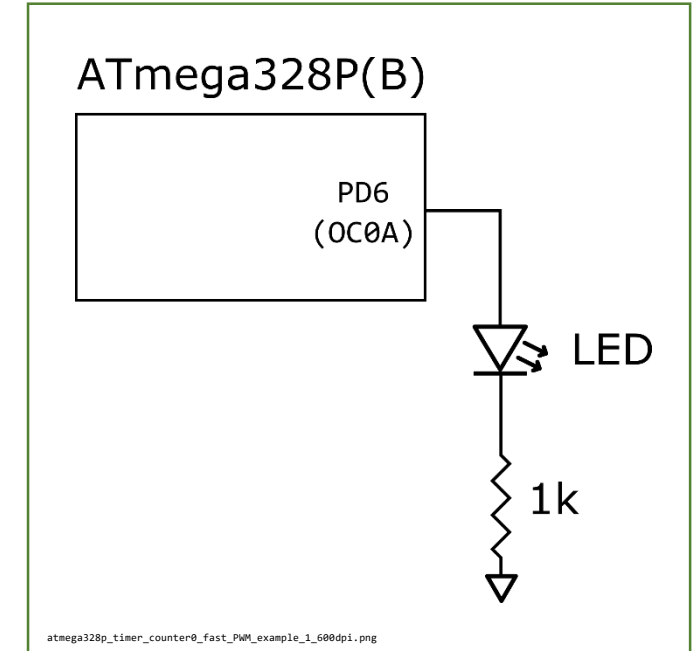
PWM duty cycle = 50% \rightarrow OCR0A \leftarrow 127 ($256 \times 0.5 = 128$)



Timer/Counter0 Fast PWM Example 1 (3)

Make an application which generates fixed duty cycle PWM signal.

```
/* timer0_fastPWM_fixed_duty.c */  
  
#include <avr/io.h>  
  
int main(void)  
{  
    DDRD    = 1 << DDD6;    // Set OC0A (PD6) to OUTPUT  
    TCCR0A  = 0b10000011;   // Fast PWM (TOP=0xFF) mode.  
                                // OC0A:non-inverting PWM signal.  
                                // OC0B:disconnected  
    TCCR0B  = 0b00000100;   // Prescaler: div by 256.  
                                // PWM freq: (16,000,000Hz/256/256) = 244.14Hz  
    OCR0A   = 127;          // Duty cycle: 50% (fixed)  
  
    while (1)  
    { /* do nothing */ }  
}
```



Timer/Counter0

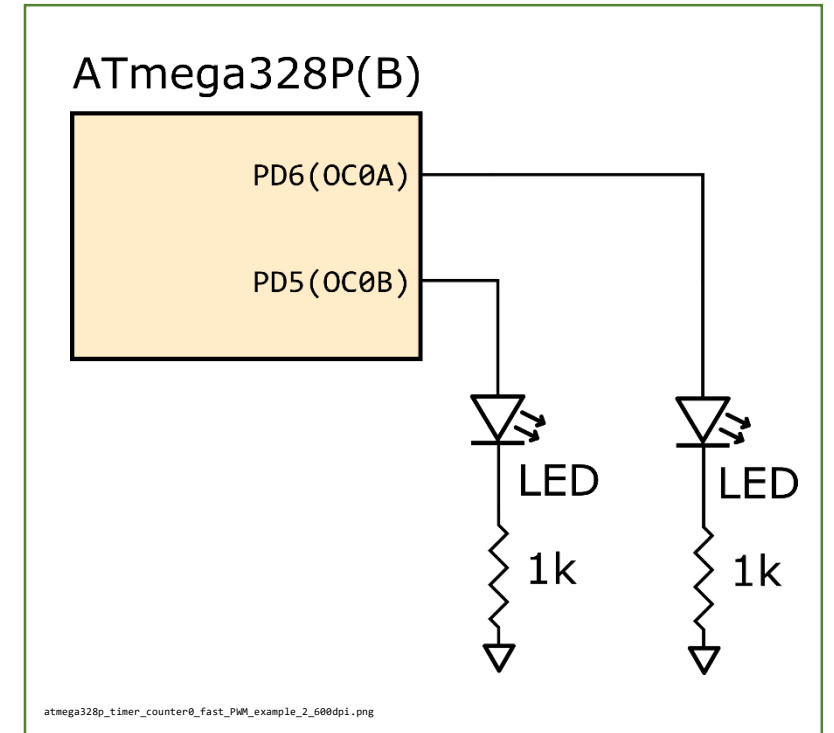
Fast PWM Example 2

(Dual Channel / Fixed Duty Cycle)

Timer/Counter0 Fast PWM Example 2 (1)

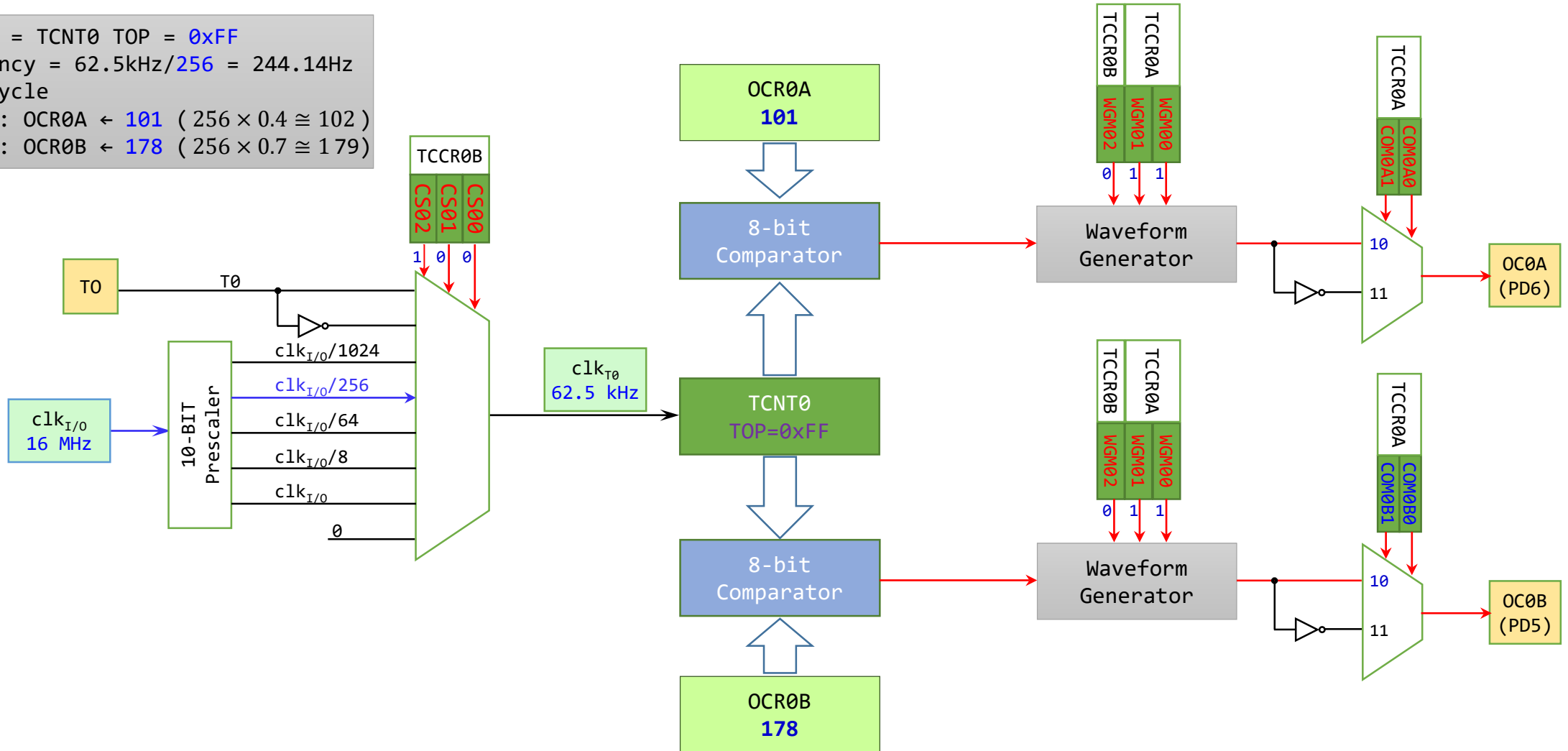
Make an application which generates dual PWM signals.

- PWM signals are available at OC0A (PD6) and OC0B (PD5).
- Duty cycle: 40% (OC0A) and 70% (OC0B).
- PWM frequency: 244.14Hz (fixed)



Timer/Counter0 Fast PWM Example 2 (2)

PWM Period = TCNT0 TOP = 0xFF
 PWM frequency = 62.5kHz/256 = 244.14Hz
 PWM duty cycle
 OC0A(40%): OCR0A ← 101 (256 × 0.4 ≈ 102)
 OC0B(70%): OCR0B ← 178 (256 × 0.7 ≈ 179)



Timer/Counter0 Fast PWM Example 2 (3)

Make an application which generates **dual** fixed duty cycle PWM signals.

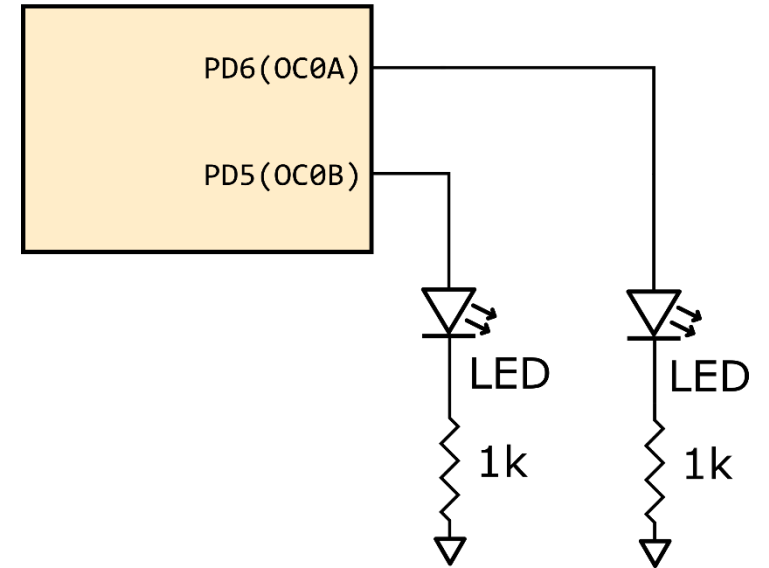
```
/* timer0_fastPWM_fixed_duty_dual_outputs.c */
/* PWM signal drives two LEDs connected to OC0A (PD6) and OC0B (PD5). */
/* Duty cycle: 40% at OC0A and 70% at OC0B. */

#include <avr/io.h>

int main(void)
{
    DDRD  = (1 << DDD6) | (1 << DDD5); // Set OC0A (PD6) and OC0B (PD5) to OUTPUT
    TCCR0A = 0b10100011; // Fast PWM (TOP=0xFF) mode.
    // OC0A, OC0B:non-inverting PWM signal.
    TCCR0B = 0b00000100; // Prescaler: div by 256.
    // PWM freq: (16,000,000Hz/256/256)=244.14Hz
    OCR0A  = 101; // OC0A duty cycle: 40% (256*0.4=102)
    OCR0B  = 178; // OC0B duty cycle: 70% (256*0.7=179)

    while (1)
    { /* do nothing */ }
}
```

ATmega328P(B)



atmega328p_timer_counter0_fast_pwm_example_2_600dpi.png

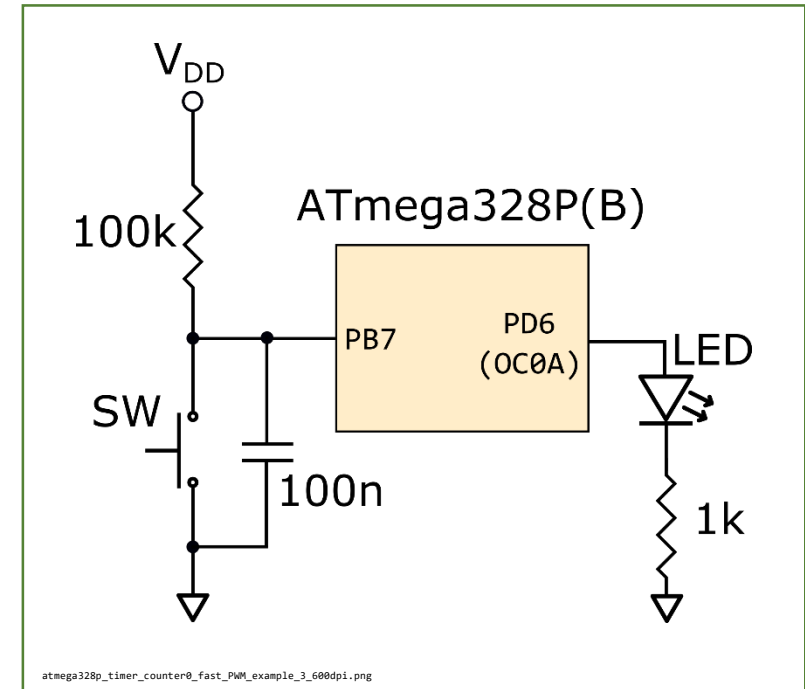
Timer/Counter0

Fast PWM Example 3

(Single Channel / Variable Duty Cycle)

Timer/Counter0 Fast PWM Example 3 (1)

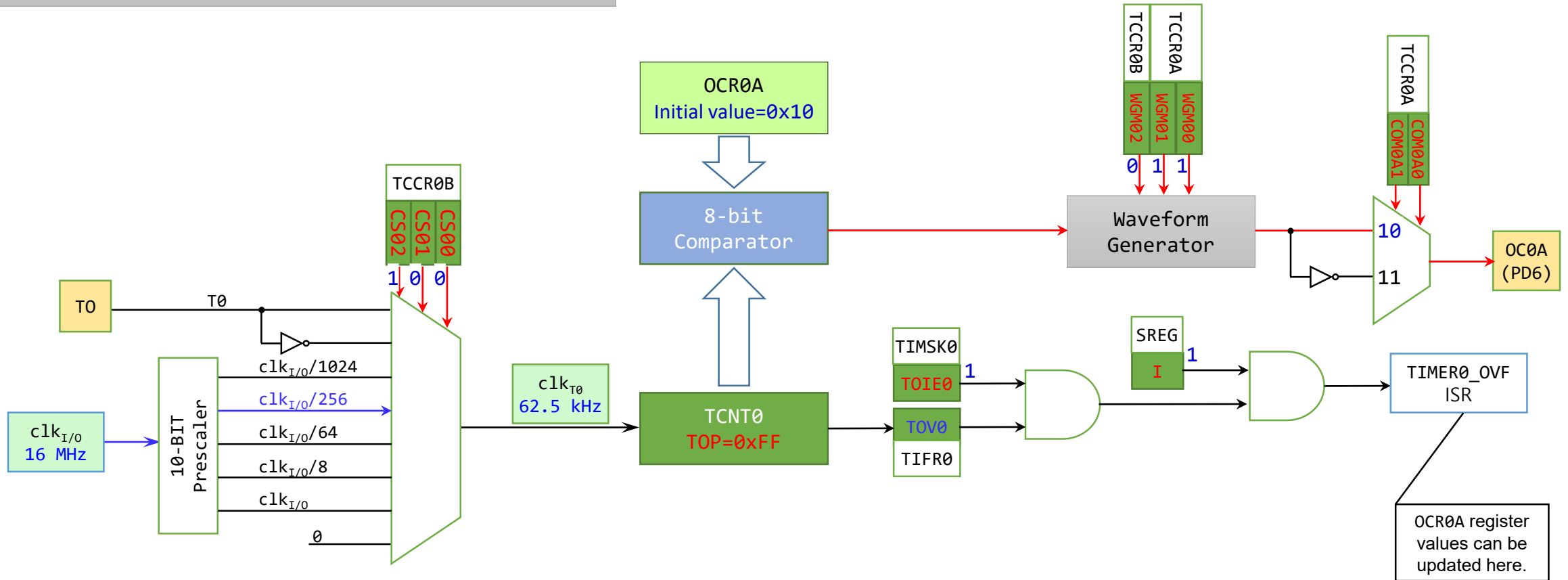
Make an application which controls LED brightness by SWITCH press, i.e. LED brightness is getting higher whenever the SWITCH is pressed.



Timer/Counter0 Fast PWM Example 3 (2)

TCNT0 TOP = 0xFF

PWM frequency = $62.5\text{kHz}/256 = 244.14\text{Hz}$



Timer/Counter0 Fast PWM Example 3 (3)

```
/* timer0_fastPWM_variable_duty_single_output.c */
* PWM signal at OC0A(PD6) changes whenever SWITCH at PB7 is pressed.
* PWM frequency: 244.14Hz (fixed) */

#include <avr/io.h>
#include <avr/interrupt.h>

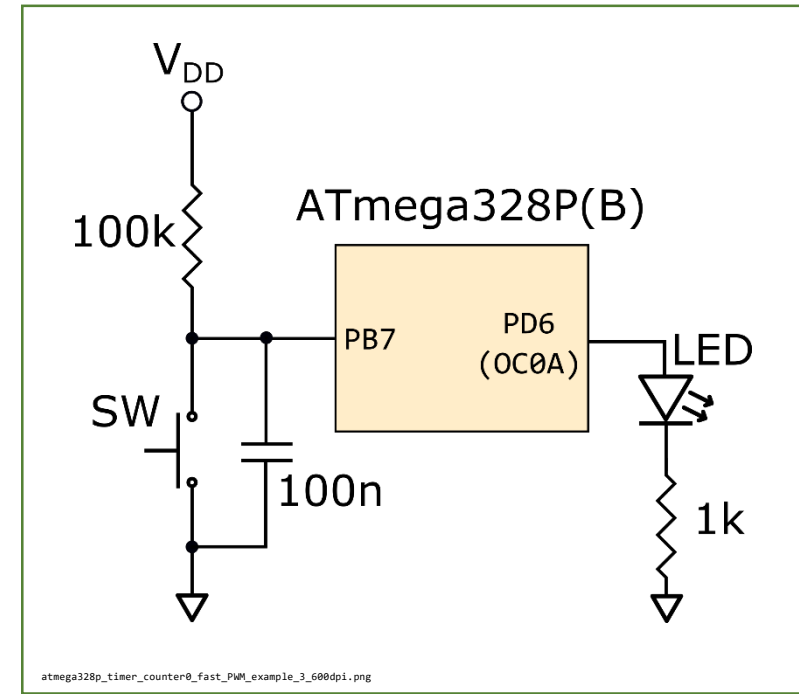
unsigned char duty_cycle = 0x10;

int main(void)
{
    DDRB  &= ~(1 << DDB7); // Set PB7 to INPUT mode for switch input
    DDRD  = 1 << DDD6;      // Set OC0A (PD6) to OUTPUT mode
    TCCR0A = 0b10000011;    // Fast PWM (TOP=0xFF) mode. OC0A:non-inverting PWM signal.
    TCCR0B = 0b00000100;    // Prescaler: div by 256. PWM freq: (16,000,000Hz/256/256) = 244.14Hz
    OCR0A  = duty_cycle;    // Initial duty cycle: 16/256 = 6.25%

    TIMSK0 |= (1 << TOIE0); // Enable Timer/Counter0 overflow interrupt.
    sei();                  // Enable global interrupt

    while (1)
    {
        if ((PINB & (1 << PINB7)) == 0) // switch pressed
        {
            duty_cycle += 0x10; // update duty cycle
            while ((PINB & (1 << PINB7)) == 0); // wait for switch release
        }
    }

    ISR(TIMEROV_vect)
    {
        OCR0A = duty_cycle; // Apply new duty value
    }
}
```



Timer/Counter0 Phase Correct PWM Mode (1)

- $WGM0[2:0]=0b001$ or $WGM0[2:0]=0b101$
- The counter(TCNT0) is incremented until the counter value matches TOP.
- When the counter reaches TOP, it changes the count direction.
- The TCNT0 value will be equal to TOP for one timer clock cycle.
- The counter is decremented until the counter value matches BOTTOM.
 - ✓ BOTTOM is 0
 - ✓ TOP is
 - $0xFF$ when $WGM[02:00]=0x1$.
 - $OCR0A$ when $WGM[02:00]=0x5$.
- Two types of PWM signals can be available
 - ✓ Non-invert: $COM0A[1:0]=0x2$
 - OC0A bit is **cleared** on compare match while **up**-counting.
 - OC0A bit is **set** on the compare match while **down**-counting.
 - ✓ Invert: $COM0A[1:0]=0x3$
 - Operation is inverted.

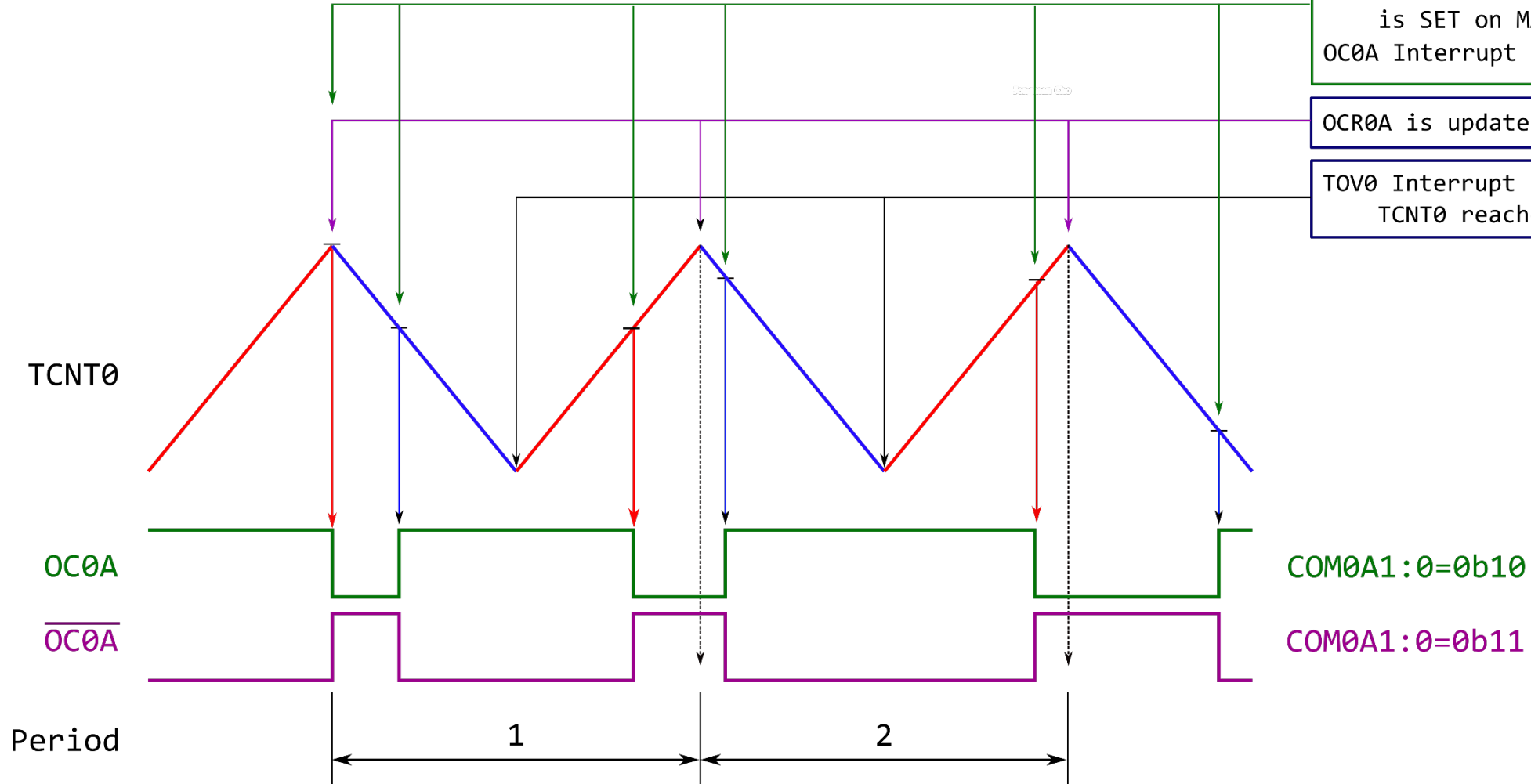
Timer/Counter0 Phase Correct PWM Mode (2)

TCNT0 TOP == 0xFF

IN Non-Inverting mode, OC0A is CLEARED on MATCH while UP-COUNTING is SET on MATCH while DOWN-COUNTING. OC0A Interrupt Flag is SET on MATCH.

OCR0A is updated when TCNT0 reaches TOP.

TOV0 Interrupt Flag is SET when TCNT0 reaches BOTTOM.



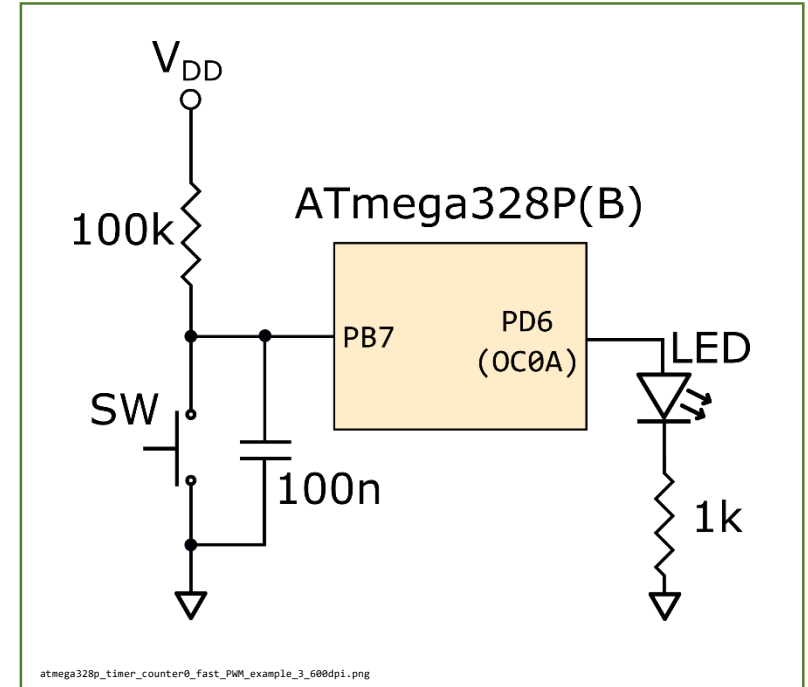
Timer/Counter0

Phase Correct PWM Example 1

(Single Channel / Variable Duty Cycle)

Timer/Counter0 Phase Correct PWM Example (1)

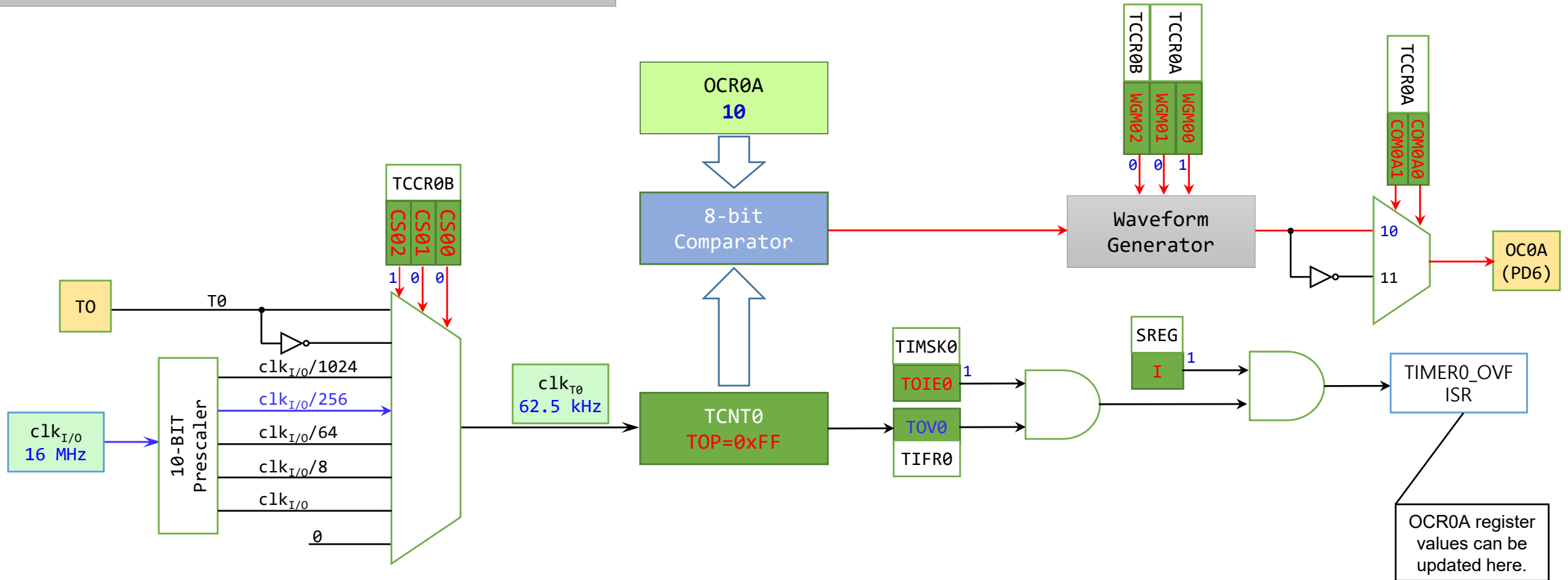
Make an application which controls LED brightness connected to PD6(OC0A) by SWITCH press, i.e. LED brightness is getting higher whenever the SWITCH is pressed.



Timer/Counter0 Phase Correct PWM Example (2)

TCNT0 TOP = 0xFF

PWM frequency = $62.5\text{kHz} / 510 = 122.55\text{Hz}$



Timer/Counter0 Phase Correct PWM Example (3)

```
/* timer0_phase_correct_PWM_variable_duty_single_output.c */
* PWM signal at OC0A(PD6) changes whenever SWITCH at PB7 is pressed.
* PWM frequency: 62.5kHz/510=122.55Hz (fixed) */

#include <avr/io.h>
#include <avr/interrupt.h>

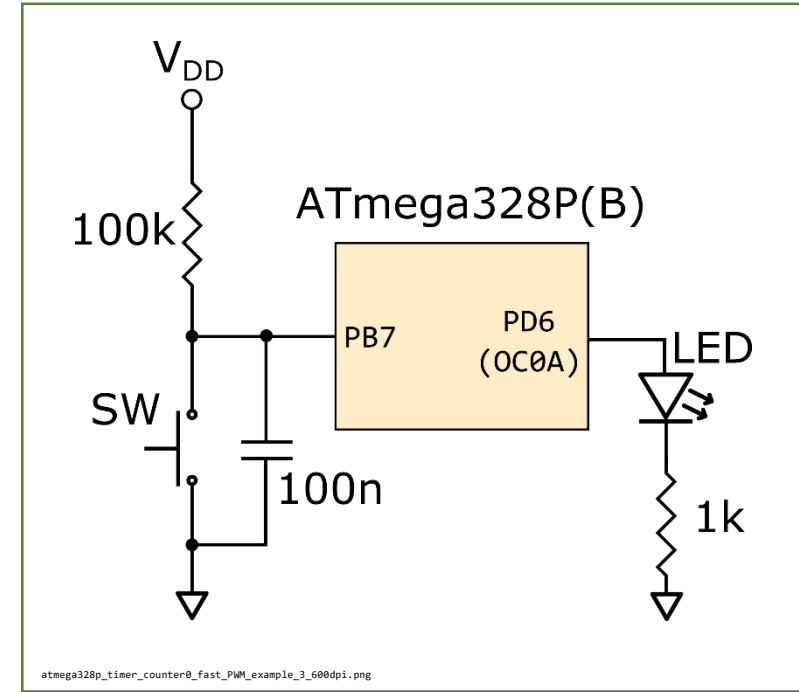
unsigned char duty_cycle = 0x10;

int main(void)
{
    DDRB  &= ~(1 << DDB7); // Set PB7 to INPUT mode for switch input
    DDRD  = 1 << DDD6;      // Set OC0A (PD6) to OUTPUT
    TCCR0A = 0b1000 0001;   // Phase Correct PWM (TOP=0xFF) mode. OC0A:non-inverting PWM signal.
    TCCR0B = 0b00000100;   // Prescaler: div by 256. PWM freq: (16,000,000Hz/256/510) = 122.55Hz
    OCR0A  = 0x10;         // Initial duty cycle: 10/256 = 4%

    TIMSK0 |= (1 << TOIE0); // Enable Timer/Counter0 overflow interrupt.
    sei();                  // Enable global interrupt

    while (1)
    {
        if ((PINB & (1 << PINB7)) == 0) // switch pressed
        {
            duty_cycle += 0x10; // update duty cycle
            while ((PINB & (1 << PINB7)) == 0); // wait for switch release
        }
    }

    ISR(TIMEROV_vect)
    {
        OCR0A = duty_cycle; // Apply new duty value
    }
}
```



Timer/Counter0

END



16-bit Timer/Counter

TC1, TC3, TC4

Timer/Counter1, 3, 4 Block Diagram

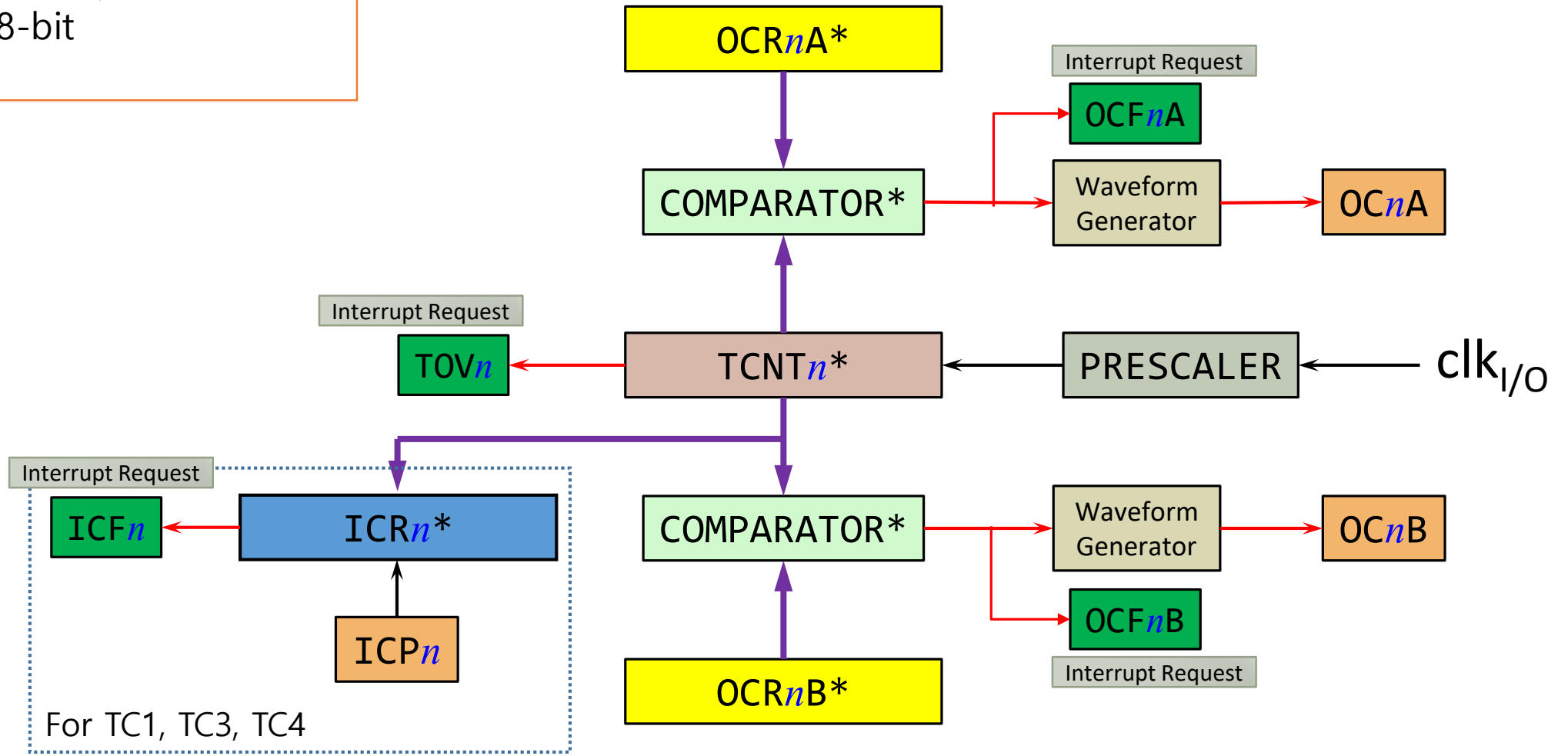
TCNT_n, OCR_{nA}, OCR_{nB}, ICR_n: 16-bit
 Other Registers: 8-bit
 n: 1, 3 or 4

TCCR_{nA}

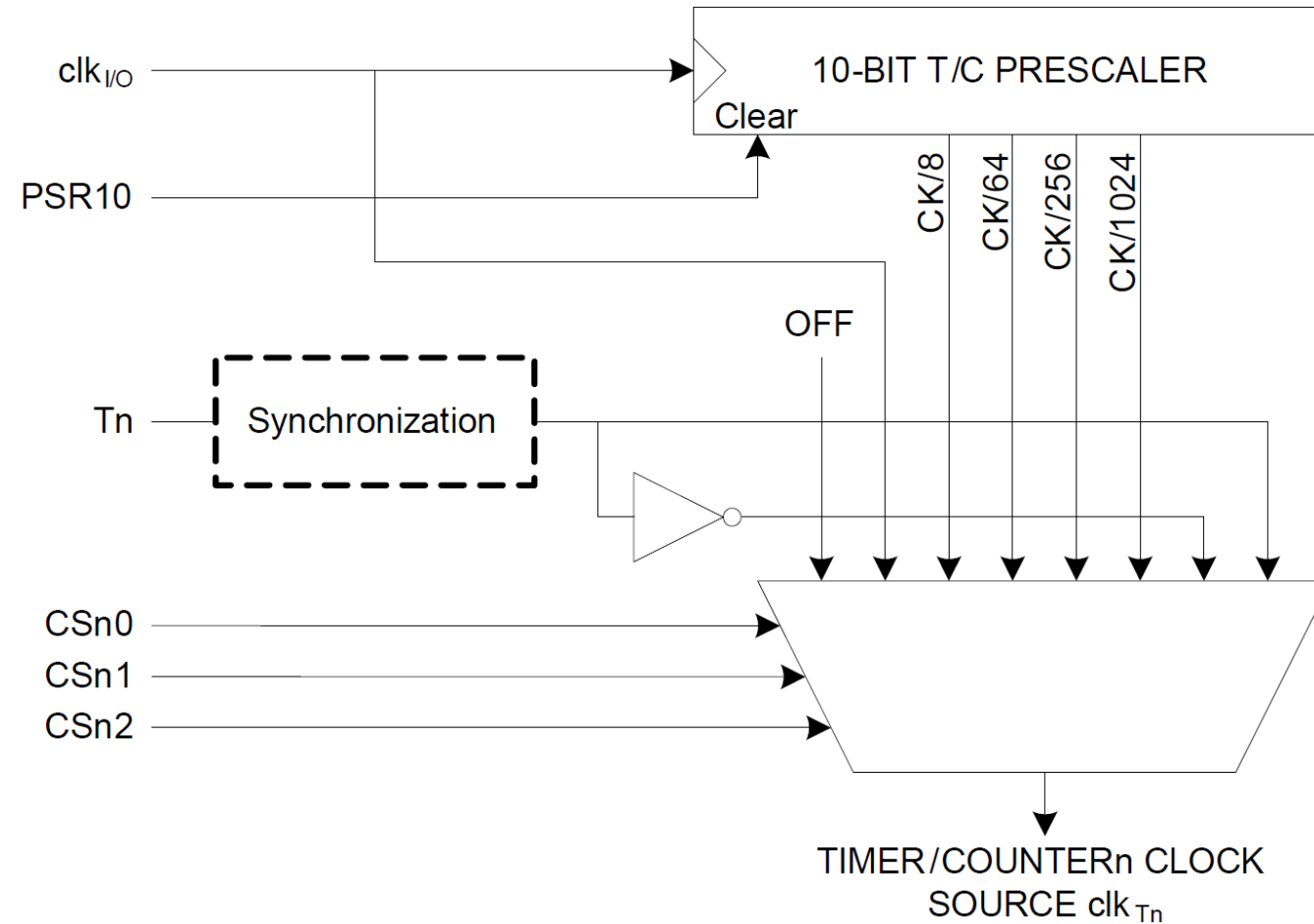
TCCR_{nB}

TIFR_n

TIMSK_n



Prescaler for Timer/Counter0,1,3,4



Timer/Counter1, 3, 4

CTC mode

(Clear Timer on Compare Match mode)

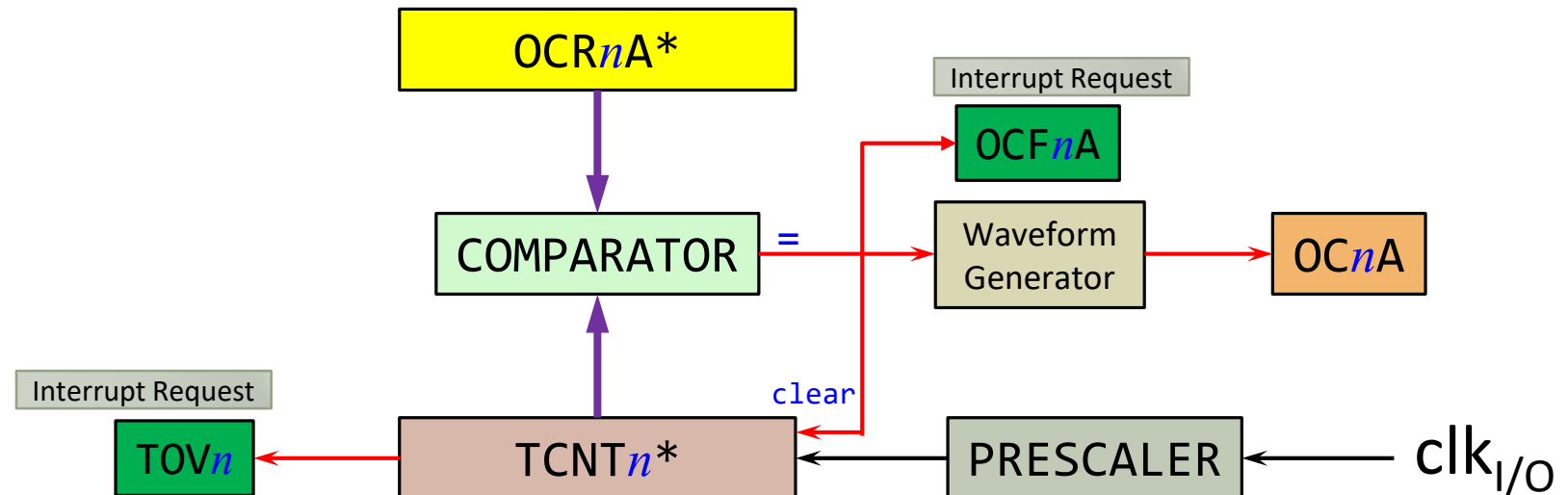
CTC Mode: Clear Timer on Compare Match(1) (TC1, TC3, TC4)

❖ When $WGM[3:0] = 0b0100$,

- $OCRnA$ is used as TOP value for $TCNTn$.
- $TCNTn$ repeats counting from 0 to the value of $OCRnA$ register.
- When $TCNTn$ value matches $OCRnA$ value,
 - ✓ $OCnA$ output can be set to toggle. (waveform generation)
 - ✓ $OCFnA$ flag is set and an interrupt can be generated.

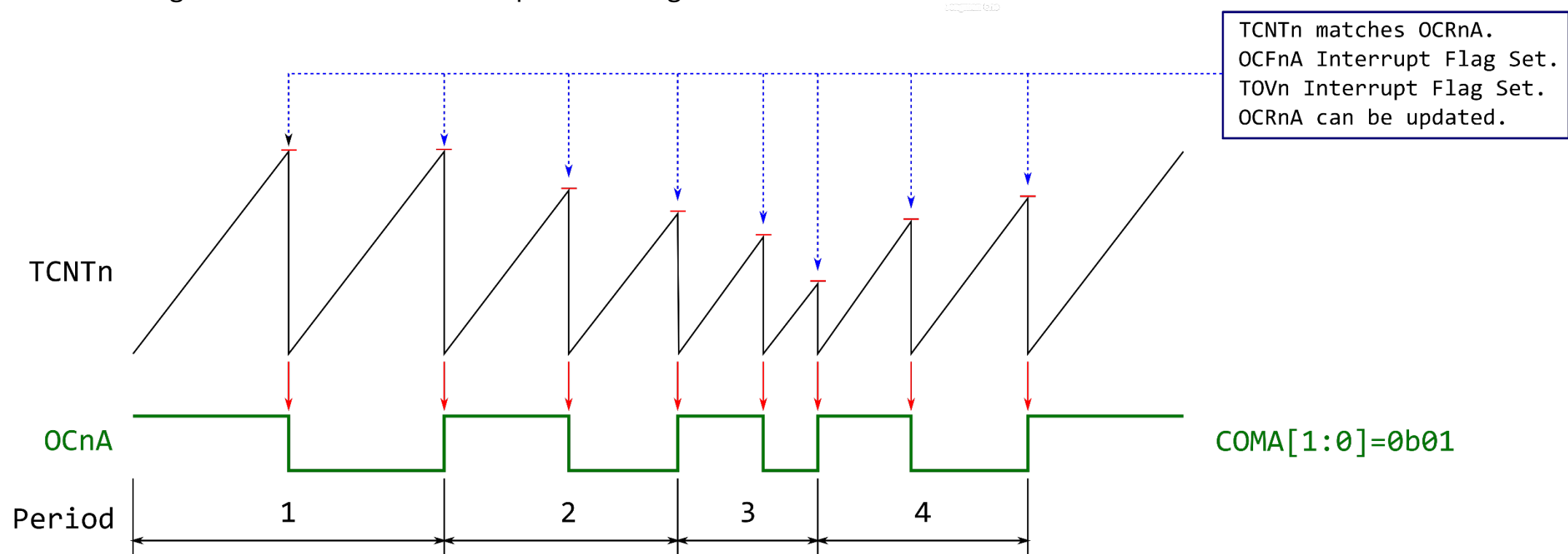
$TCNTn$, $OCRnA$, $OCRnB$, $ICRn$: 16-bit
Other Registers: 8-bit
 n : 1, 3 or 4

$TIMn_COMPA_vect$



CTC Mode: Clear Timer on Compare Match(2) (TC1, TC3, TC4)

- When $WGM[3:0] = 0b0100$,
- $OCRnA$ is used as TOP value for $TCNTn$.
- $TCNTn$ repeats counting from 0 to the value of $OCRnA$ register.
- When $TCNTn$ value matches $OCRnA$ value,
 - ✓ $OCnA$ output can be set to toggle. (waveform generation)
 - ✓ $OCFnA$ flag is set and an interrupt can be generated.



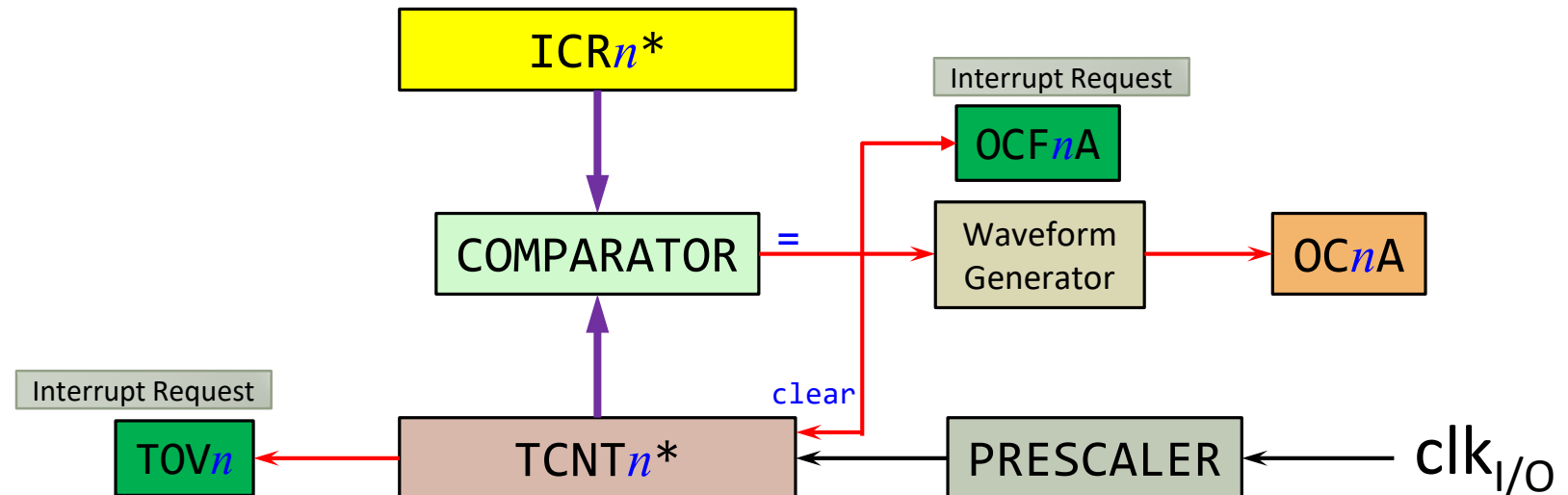
CTC Mode: Clear Timer on Compare Match(3) (TC1, TC3, TC4)

❖ When $WGM[3:0] = 0b1100$,

- ICR_n is used as TOP value for $TCNT_n$.
- $TCNT_n$ repeats counting from 0 to the value of ICR_n register.
- When $TCNT_n$ value matches ICR_n value,
 - ✓ $OCnA$ output can be set to toggle. (waveform generation)
 - ✓ $OCFnA$ flag is set and an interrupt can be generated.

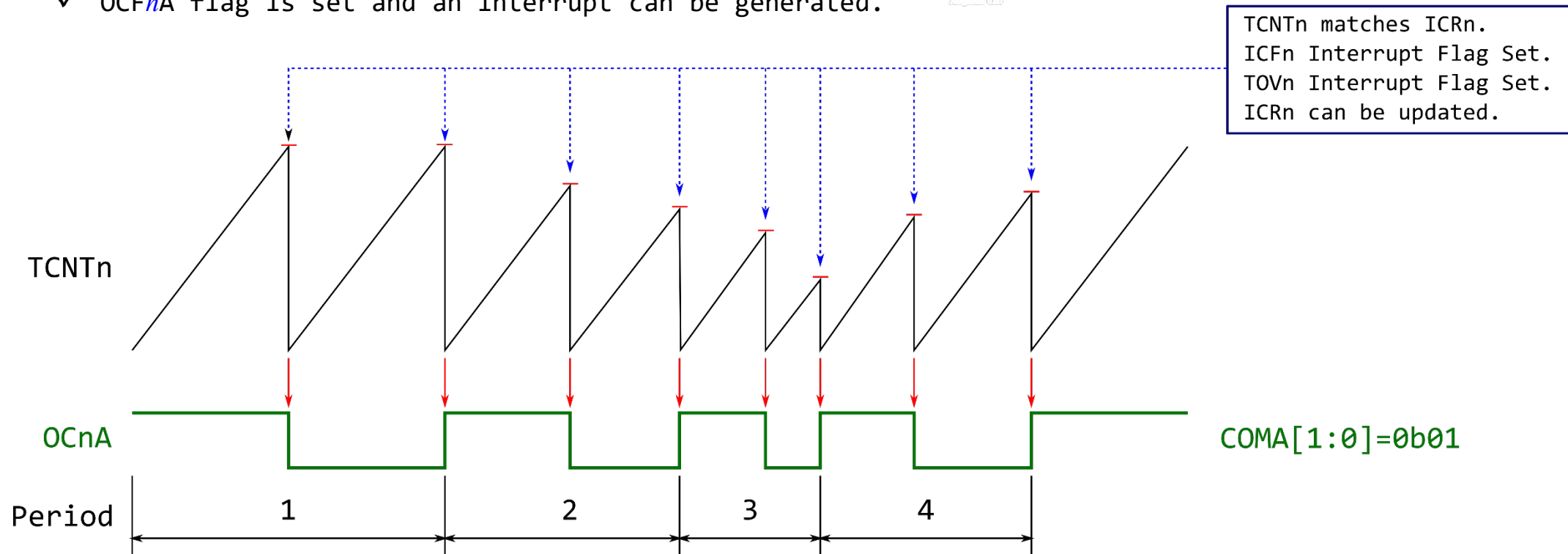
$TCNT_n$, $OCRnA$, $OCRnB$, ICR_n : 16-bit
Other Registers: 8-bit
 n : 1, 3 or 4

$TIM_n_COMPA_vect$



CTC Mode: Clear Timer on Compare Match(4) (TC1, TC3, TC4)

- ❖ When $WGM[3:0] = 0b1100$,
 - $ICRn$ is used as TOP value for $TCNTn$.
 - $TCNTn$ repeats counting from 0 to the value of $ICRn$ register.
 - When $TCNTn$ value matches $ICRn$ value,
 - ✓ $OCnA$ output can be set to toggle. (waveform generation)
 - ✓ $OCFnA$ flag is set and an interrupt can be generated.



Timer/Counter1

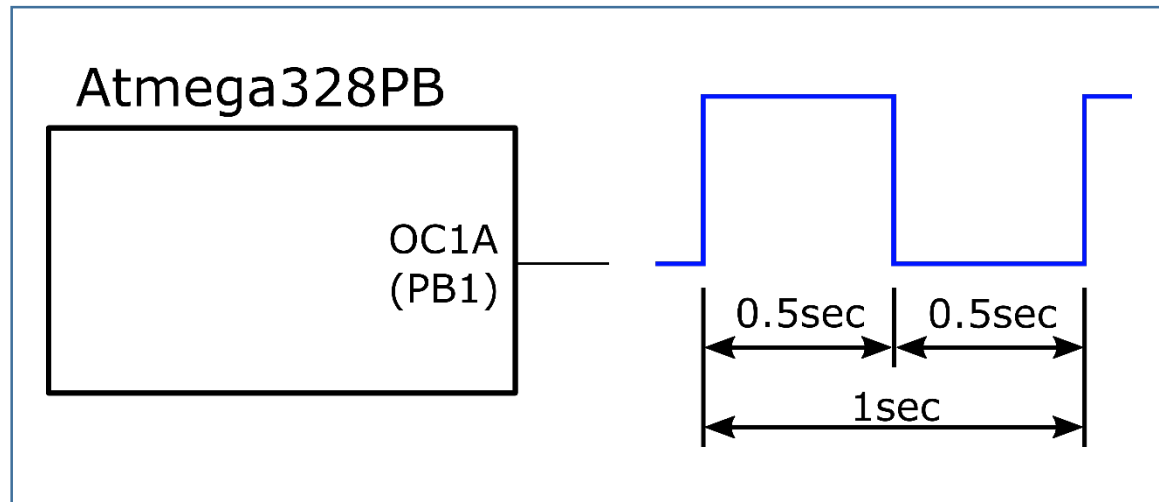
CTC Example

(OCR1A as TOP)

Timer/Counter1 CTC Example (OCR1A as TOP) (1)

Waveform Generation

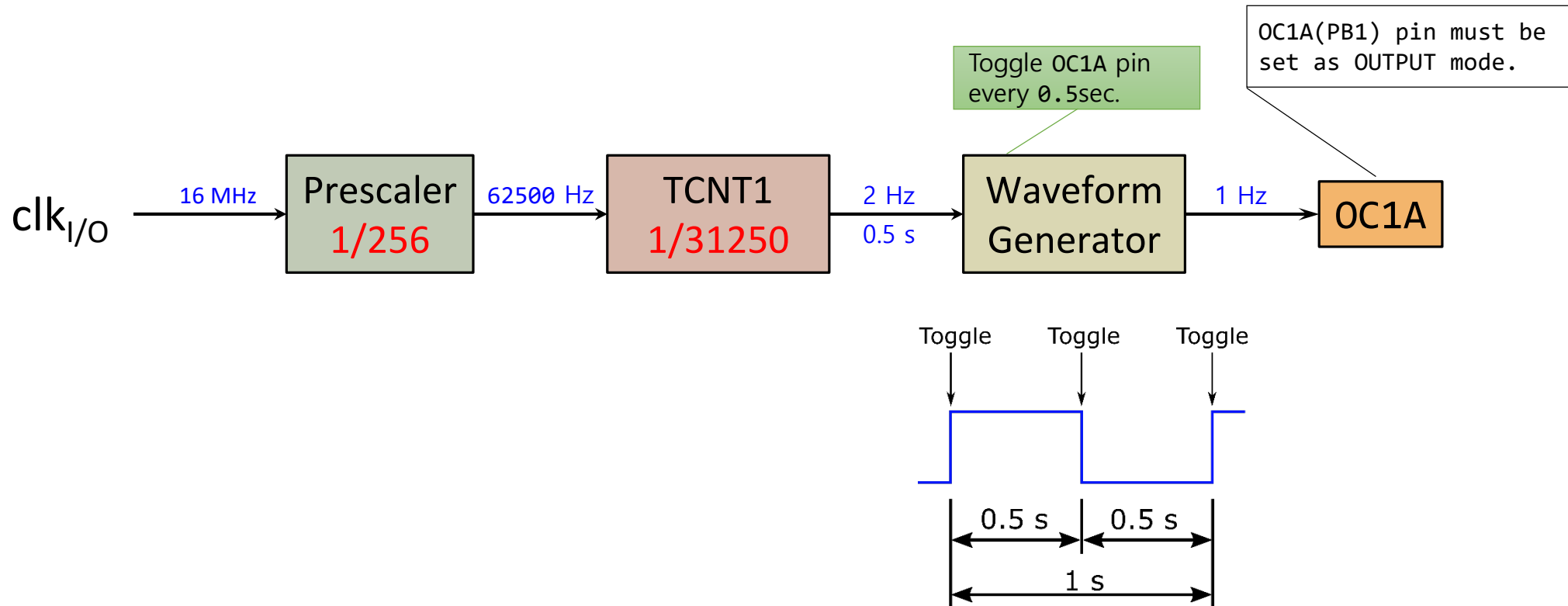
- Make an application which generates 1 Hz rectangular wave on OC1A (PB1).
- Use Timer/Counter1 CTC mode.



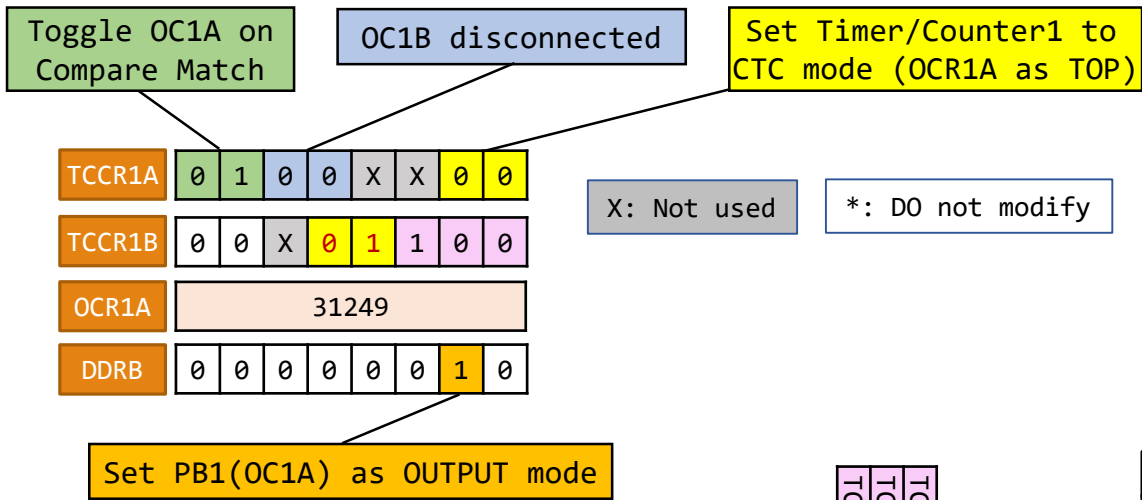
Timer/Counter1 CTC Example (OCR1A as TOP) (2)

Waveform Generation

- Make an application which generates 1 Hz rectangular wave on OC1A (PB1).
- Use Timer/Counter1 CTC mode.

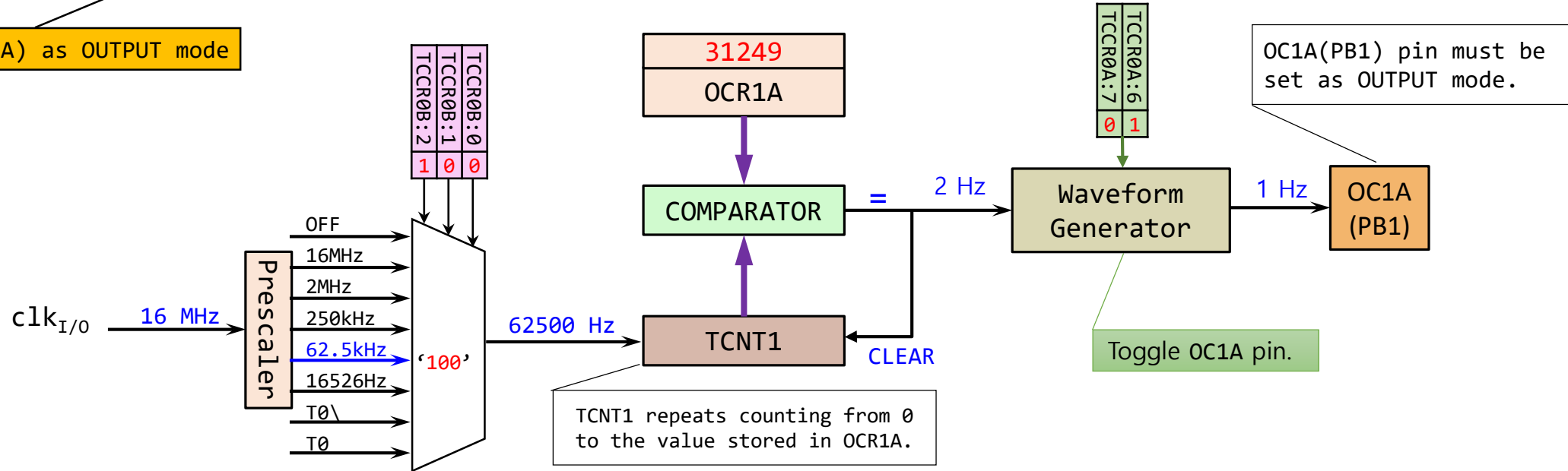


Timer/Counter1 CTC Example (OCR1A as TOP) (3)



Waveform Generation

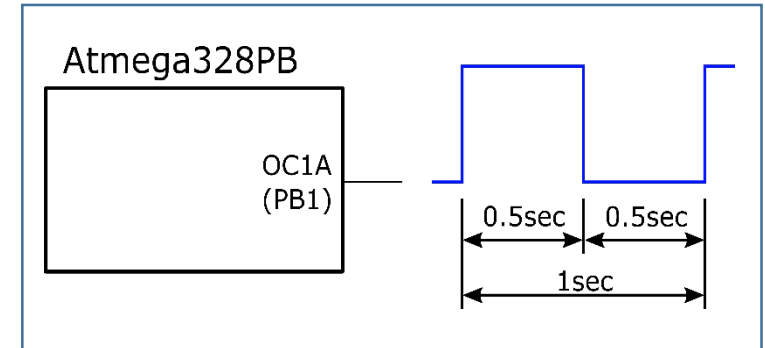
- Make an application which generates 1 Hz rectangular wave on OC1A (PB1).
- Use Timer/Counter1 CTC mode.



Timer/Counter1 CTC Example (OCR1A as TOP) (4)

Make an application which generates 1 Hz rectangular wave on OC1A (PB1).

```
/* tc1_ctc OCR1A_1hz.c */  
  
#include <avr/io.h>  
  
int main(void)  
{  
    DDRB  = (1 << 1);    // Set PB1 (OC1A) as OUTPUT mode  
    TCCR1A = 0b01000000; // Set T/C1 to CTC mode(OCR1A as TOP).  
                                // Toggle OC1A.  
    TCCR1B = 0b00001100; // Select Prescaler division ratio.  
                                // 16MHz/256=62,500Hz  
    OCR1A  = 31249;      // Match Rate is 2Hz. 62500Hz/31250=2Hz  
  
    while (1)  
    { /* do nothing */ }  
}
```



Timer/Counter3

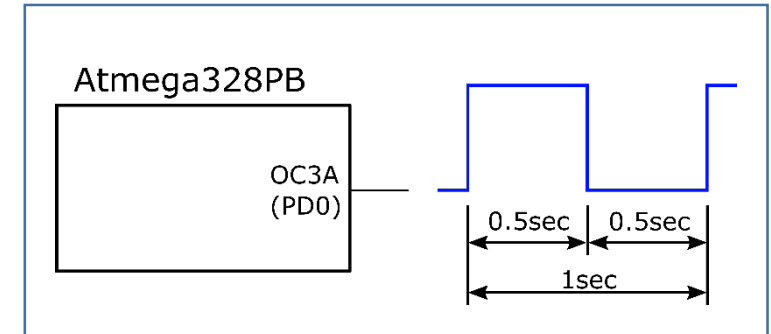
CTC Example

(OCR3A as TOP)

Timer/Counter3 CTC Example (OCR3A as TOP) (4)

Make an application which generates 1 Hz rectangular wave on OC3A (PD0).

```
/* tc3_ctc_OCR3A_1hz.c */  
  
#include <avr/io.h>  
  
int main(void)  
{  
    DDRD    = 1 << 0;           // Set PD0 (OC3A) as OUTPUT mode  
    TCCR3A  = 0b01000000;       // Set T/C3 to CTC mode(OCR3A as TOP).  
                                // Toggle OC3A.  
    TCCR3B  = 0b00001100;       // Select Prescaler division ratio.  
                                // 16MHz/256=62,500Hz  
    OCR3A   = 31249;            // Match Rate is 2Hz. 62500Hz/31250=2Hz  
  
    while (1)  
    { /* do nothing */ }  
}
```



Timer/Counter1

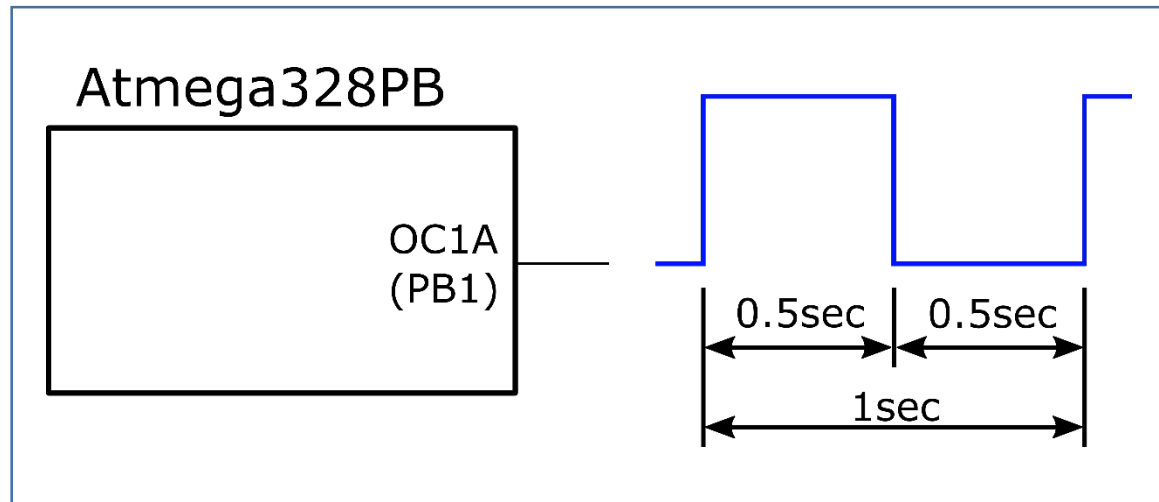
CTC Example

(ICR1 as TOP)

Timer/Counter1 CTC Example (ICR1 as TOP) (1)

Waveform Generation

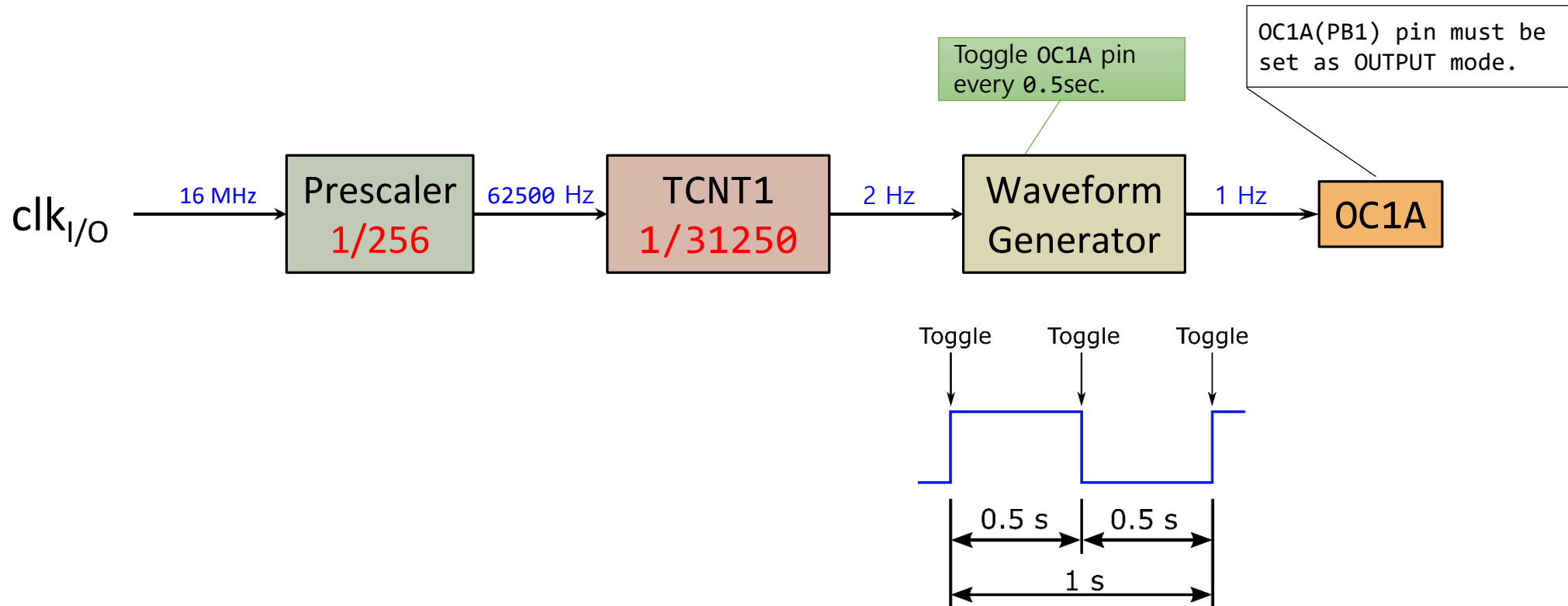
- Make an application which generates 1 Hz rectangular wave on OC1A (PB1).
- Use Timer/Counter1 CTC mode.



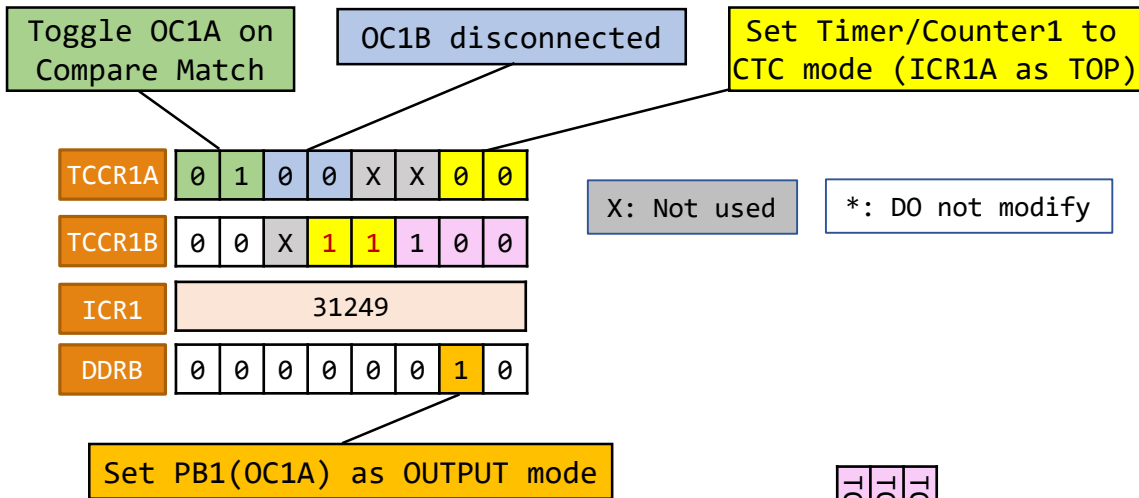
Timer/Counter1 CTC Example (ICR1 as TOP) (2)

Waveform Generation

- Make an application which generates 1 Hz rectangular wave on OC1A (PB1).
- Use Timer/Counter1 CTC mode.

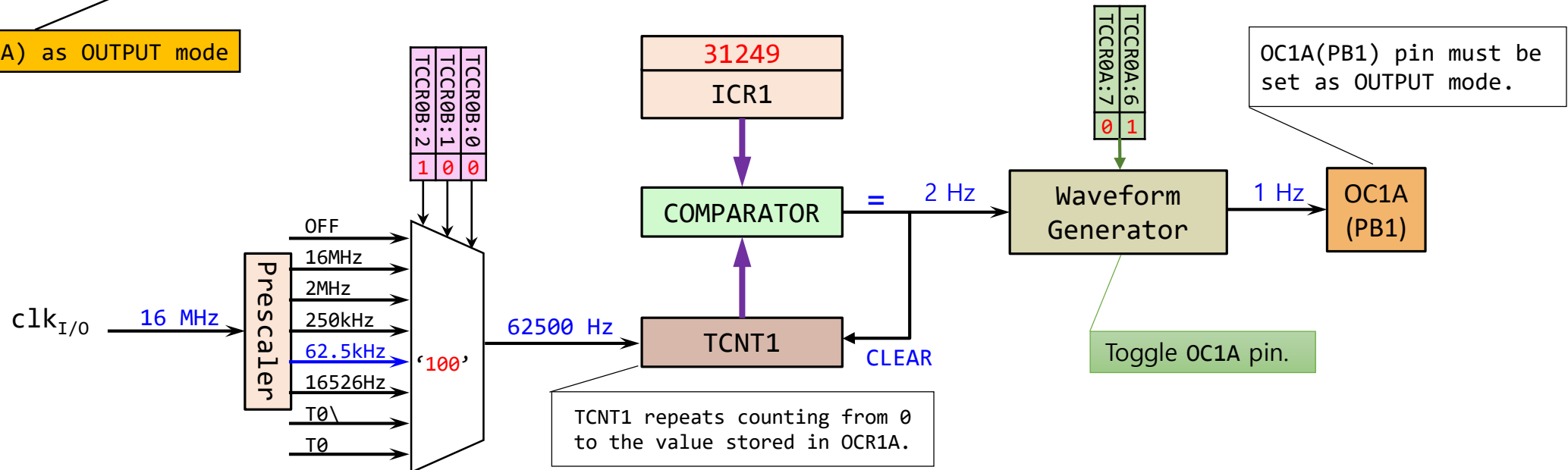


Timer/Counter1 CTC Example (ICR1 as TOP) (3)



Waveform Generation

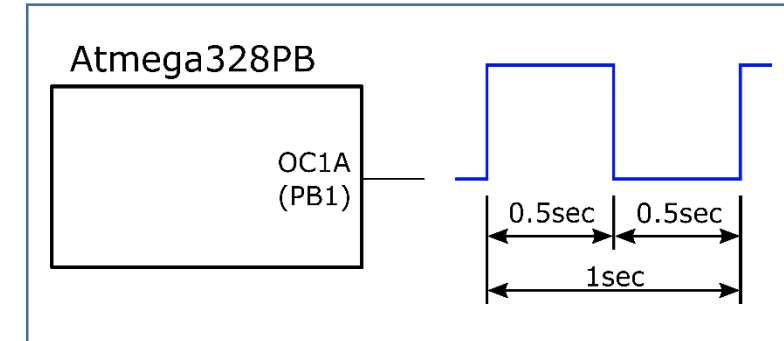
- Make an application which generates 1 Hz rectangular wave on OC1A (PB1).
- Use Timer/Counter1 CTC mode.



Timer/Counter1 CTC Example (ICR1 as TOP) (4)

Make an application which generates 1 Hz rectangular wave on OC1A (PB1).

```
/* tc1_ctc_ICR1_1hz.c */  
  
#include <avr/io.h>  
  
int main(void)  
{  
    DDRB  = (1 << DDB1); // Set PB1 (OC1A) as OUTPUT mode  
    TCCR1A = 0b01000000; // Set T/C1 to CTC mode(ICR1 as TOP).  
                                // Toggle OC1A.  
    TCCR1B = 0b00011100; // Select Prescaler division ratio.  
                                // 16MHz/256=62,500Hz  
    ICR1A  = 31249; // Match Rate is 2Hz. 62500Hz/31250=2Hz  
  
    while (1)  
    { /* do nothing */ }  
}
```



Timer/Counter3

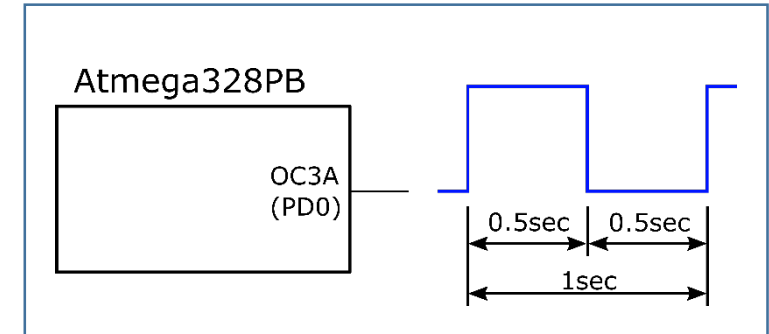
CTC Example

(ICR3 as TOP)

Timer/Counter3 CTC Example (ICR3 as TOP)

Make an application which generates 1 Hz rectangular wave on OC3A (PD0).

```
/* tc3_ctc_ICR3_1hz.c */  
  
#include <avr/io.h>  
  
int main(void)  
{  
    DDRD    = (1 << DDD0); // Set PD0 (OC3A) as OUTPUT mode  
    TCCR3A  = 0b01000000; // Set T/C3 to CTC mode(ICR3 as TOP).  
                                // Toggle OC3A.  
    TCCR3B  = 0b00011100; // Select Prescaler division ratio.  
                                // 16MHz/256=62,500Hz  
    ICR3A   = 31249; // Match Rate is 2Hz. 62500Hz/31250=2Hz  
  
    while (1)  
    { /* do nothing */ }  
}
```

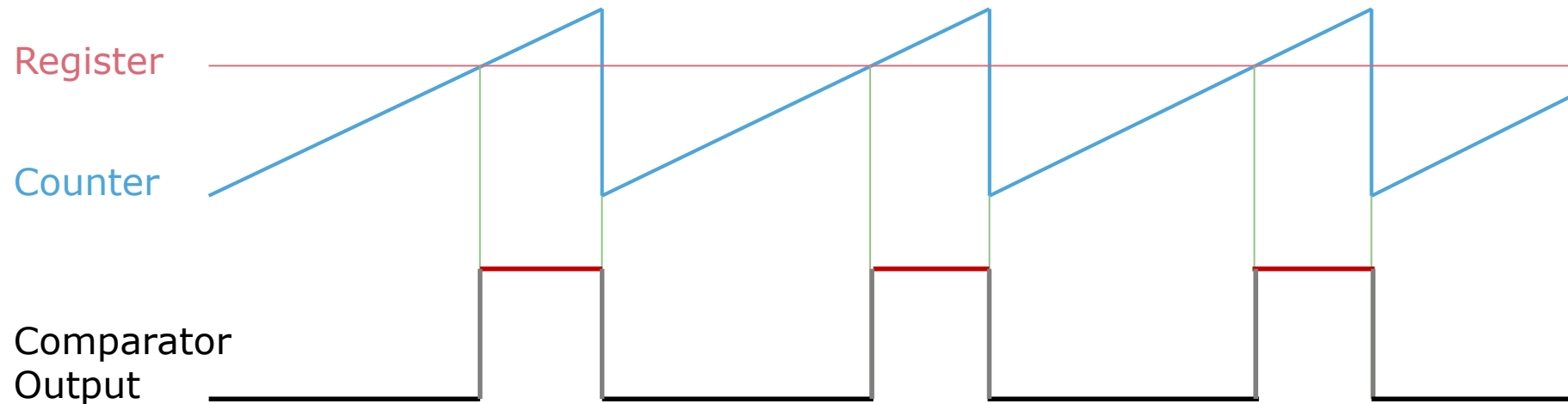
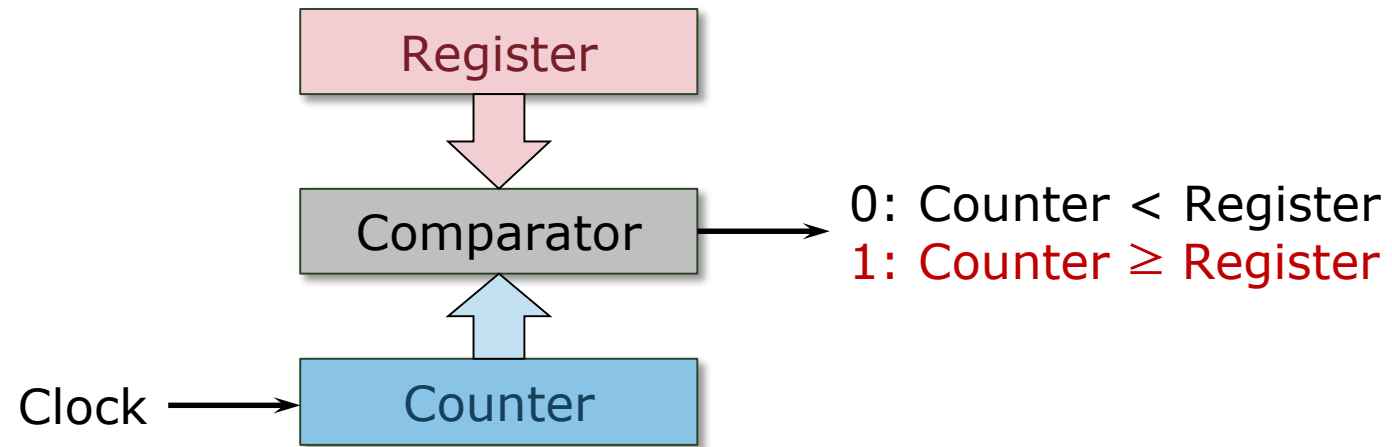


Timer/Counter1, 3, 4

Fast PWM mode

(Fast Pulse Width Modulation mode)

Pulse Width Modulation (PWM)



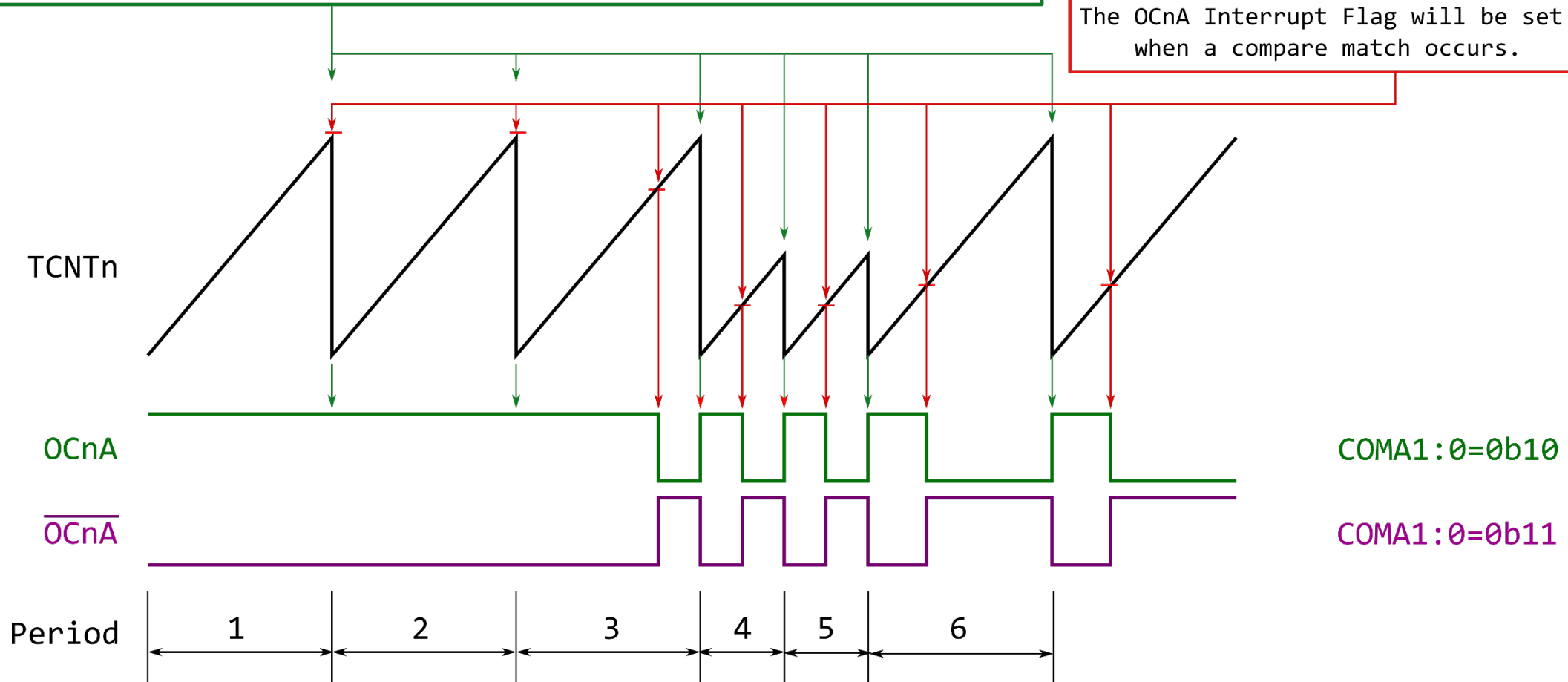
Timer/Counter1, 3, 4 Fast PWM Mode (1)

- WGM[3:0]=0b0101, WGM[3:0]=0b0110, WGM[3:0]=0b0111, WGM[3:0]=0b1110, WGM[3:0]=0b1111
- The counter(TCNT n) counts from BOTTOM to TOP, then restarts from BOTTOM.
 - ✓ BOTTOM is 0
 - ✓ TOP is
 - 0x00FF when WGM[3:0]=0101.
 - 0x01FF when WGM[3:0]=0110.
 - 0x03FF when WGM[3:0]=0111.
 - ICR n when WGM[3:0]=1110.
 - OCR nA when WGM[3:0]=1111.
- The Timer/Counter Overflow Flag (TOV n) is set each time the counter reaches TOP.
 - ✓ If the interrupt is enabled, the interrupt handler routine(TIMERN_OVF_vect) can be used for updating the compare value.
- Two types of PWM signals can be available
 - ✓ Invert: COMA[1:0]=0b11
 - ✓ Non-invert: COMA[1:0]=0b10

Timer/Counter1, 3, 4 Fast PWM Mode (2)

At the following timer clock cycle after TCNTn reaches TOP(OCRnA or ICRn), TCNTn is cleared. / OCRnA is updated. / TOVn Interrupt Flag is set. ICFn Interrupt Flag is set if used as TOP. / OCnA is SET.

In non-inverting Compare Output mode, OCnA is CLEARED when TCNTn matches OCRnA. SET when TCNTn returns BOTTOM(0). The OCnA Interrupt Flag will be set when a compare match occurs.



Timer/Counter1,3,4

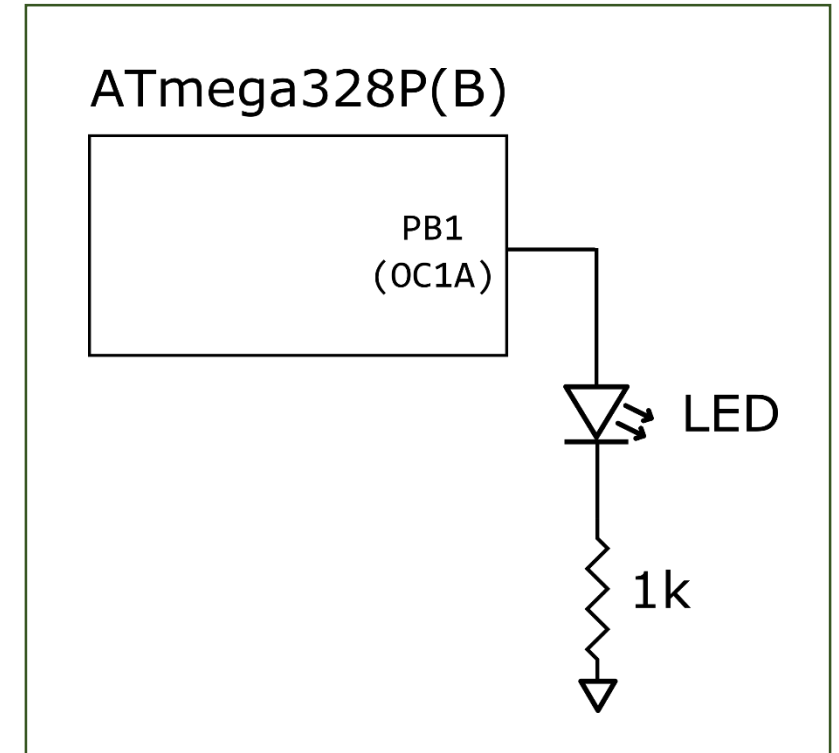
Fast PWM Example 1

(Single Channel / Fixed Duty Cycle)

Timer/Counter1, 3, 4 Fast PWM Example 1 (1)

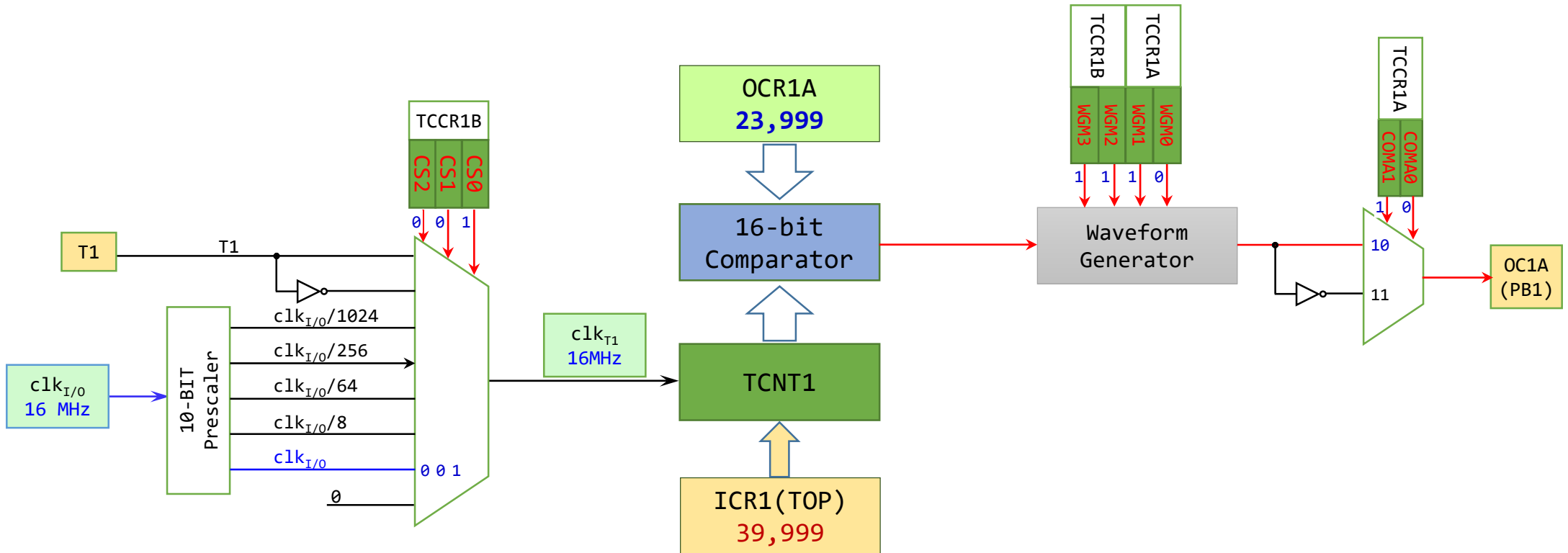
Make an application which generates single PWM signal.

- PWM signal drives an LED connected to **OC1A (PB1)**.
- Duty cycle: **60%** (fixed).
- PWM frequency: **400Hz** (fixed)
- Use **ICR1** as TOP ($WGM[3:0]=1110$)



Timer/Counter1, 3, 4 Fast PWM Example 1 (2)

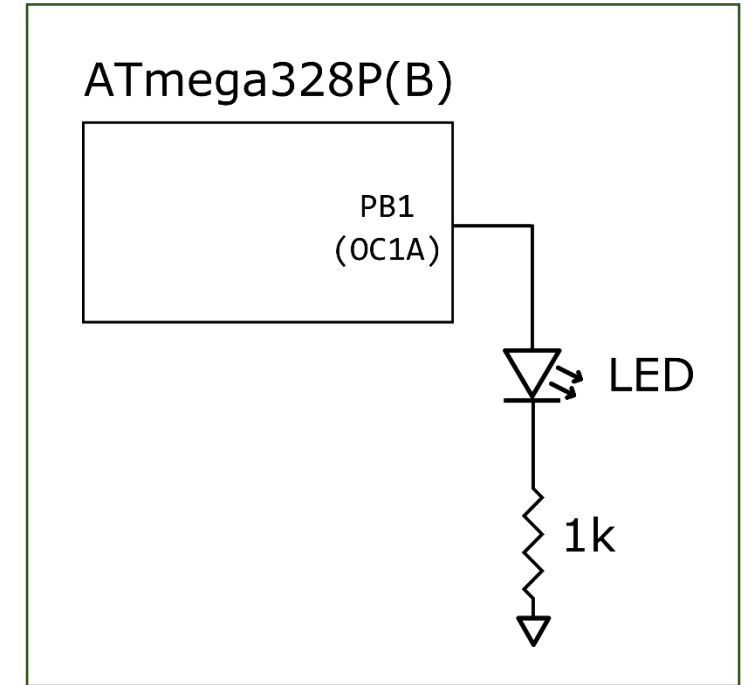
TCNT0 TOP = ICR1 \leftarrow 39,999
 PWM frequency = $16\text{MHz}/40,000 = 400\text{Hz}$
 PWM duty cycle = 60% \rightarrow OCR1A \leftarrow $40,000 \cdot 0.6 - 1 = 23,999$



Timer/Counter1, 3, 4 Fast PWM Example 1 (3)

Make an application which generates fixed duty cycle PWM signal.

```
/* tc1_fast_pwm_ICR1_top_OCR1A.c */  
  
#include <avr/io.h>  
  
int main(void)  
{  
    DDRB = 0b00000010; // Set OC1A (PB1) to OUTPUT  
    TCCR1A = 0b10000010; // OC1A:Non-Inverting PWM, OC1B:Disconnect  
    // Fast PWM, TOP=ICR1  
    TCCR1B = 0b00011001; // Fast PWM, TOP=ICR1  
    // Prescaler: div by 1,  
    // TCNT1 clk=16MHz/1=16MHz  
    ICR1 = 39999; // TCNT1 TOP. PWM freq = 16MHz/40,000=400Hz  
    OCR1A = 23999; // Duty cycle=60% (fixed)  
  
    while (1)  
    { /* do nothing */ }  
}
```



Timer/Counter1,3,4

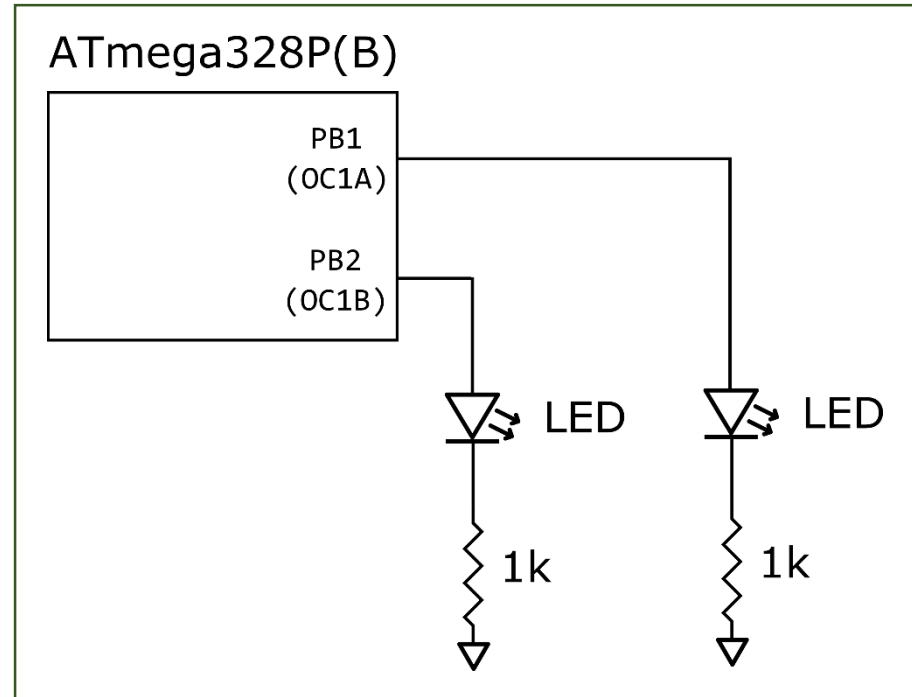
Fast PWM Example 2

(Dual Channel / Fixed Duty Cycle)

Timer/Counter1, 3, 4 Fast PWM Example 2 (1)

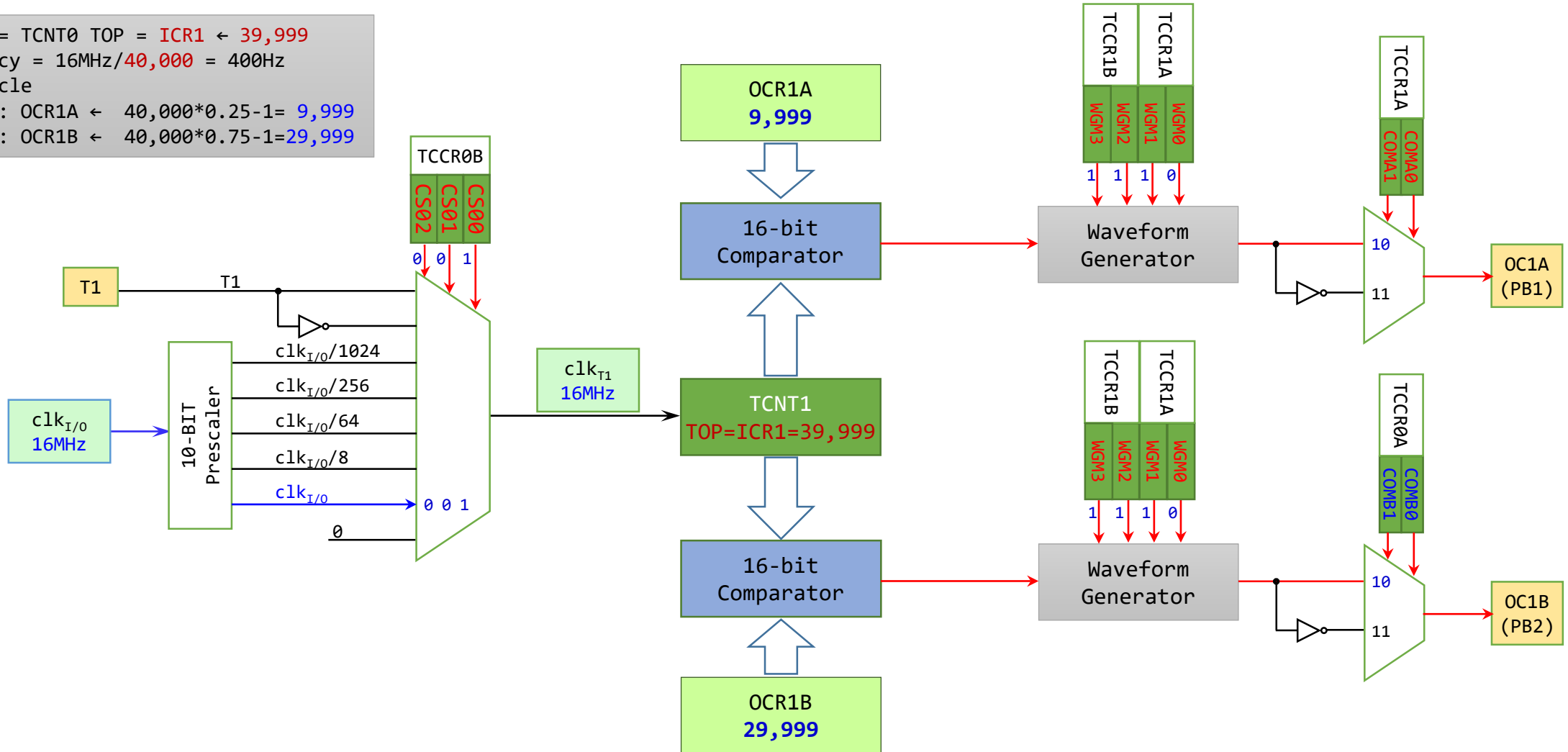
Make an application which generates dual PWM signals.

- PWM signals are available at OC1A (PB1) and OC1B (PB2).
- Duty cycle: 25% (OC1A) and 75% (OC1B).
- PWM frequency: 400Hz (fixed).
- Use ICR1 as TOP (WGM[3:0]=1110)



Timer/Counter1, 3, 4 Fast PWM Example 2 (2)

PWM Period = TCNT0 TOP = ICR1 ← 39,999
 PWM frequency = 16MHz/40,000 = 400Hz
 PWM duty cycle
 OC1A(25%): OCR1A ← 40,000*0.25-1= 9,999
 OC1B(75%): OCR1B ← 40,000*0.75-1=29,999



Timer/Counter1, 3, 4 Fast PWM Example 2 (3)

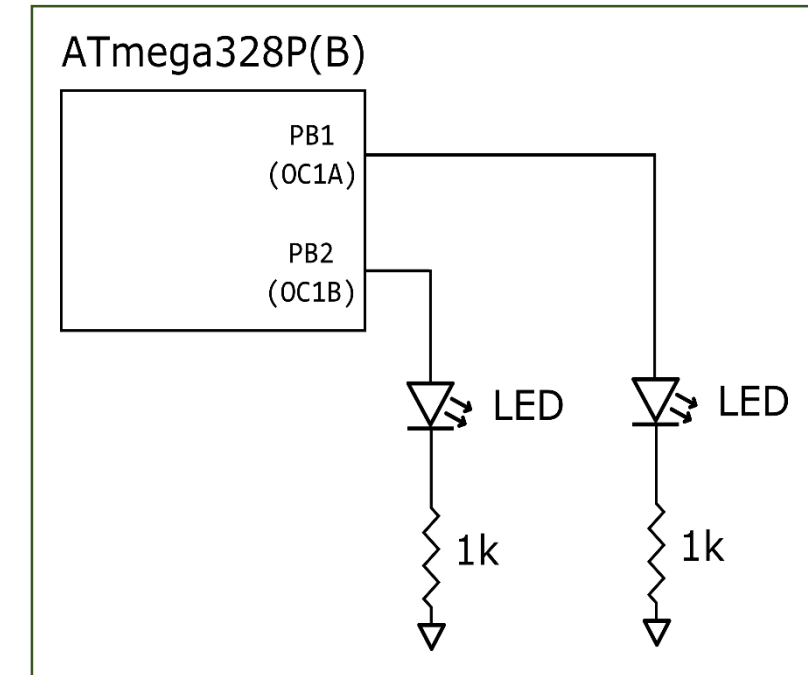
Make an application which generates dual fixed duty cycle PWM signals.

```
/* tc1_fast_pwm_ICR1_top_dual.c */
/* PWM signal drives two LEDs connected to OC1A(PB1) and OC1B(PB2). */
/* Duty cycle: 25% at OC1A and 75% at OC1B. */

#include <avr/io.h>

int main(void)
{
    DDRB = 0b00000110; // Set OC1A(PB1) and OC1B(PB2) to OUTPUT
    TCCR1A = 0b10100010; // OC1A and OC1B:Non-Inverting PWM
                        // Fast PWM, TOP=ICR1
    TCCR1B = 0b00011001; // Fast PWM, TOP=ICR1
                        // Prescaler: div by 1, CLKt1=16MHz/1=16MHz
    ICR1 = 39999; // TCNT1 TOP. PWM freq = 16MHz/40,000=400Hz
    OCR1A = 9999; // Duty cycle on OC1A=25% (fixed)
    OCR1B = 29999; // Duty cycle on OC1B=75% (fixed)

    while (1)
    { /* do nothing */ }
}
```



Timer/Counter1,3,4

Fast PWM Example 3

(Single Channel / Variable Duty Cycle)

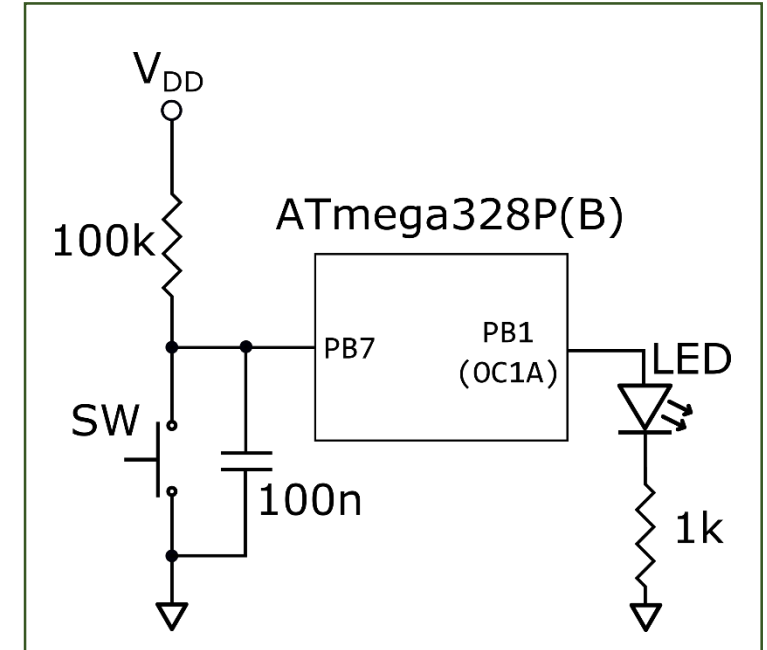
Timer/Counter1, 3,4 Fast PWM Example 3 (1)

Problem

Make an application which controls LED brightness by SWITCH press, i.e. LED brightness is getting higher whenever the SWITCH is pressed.

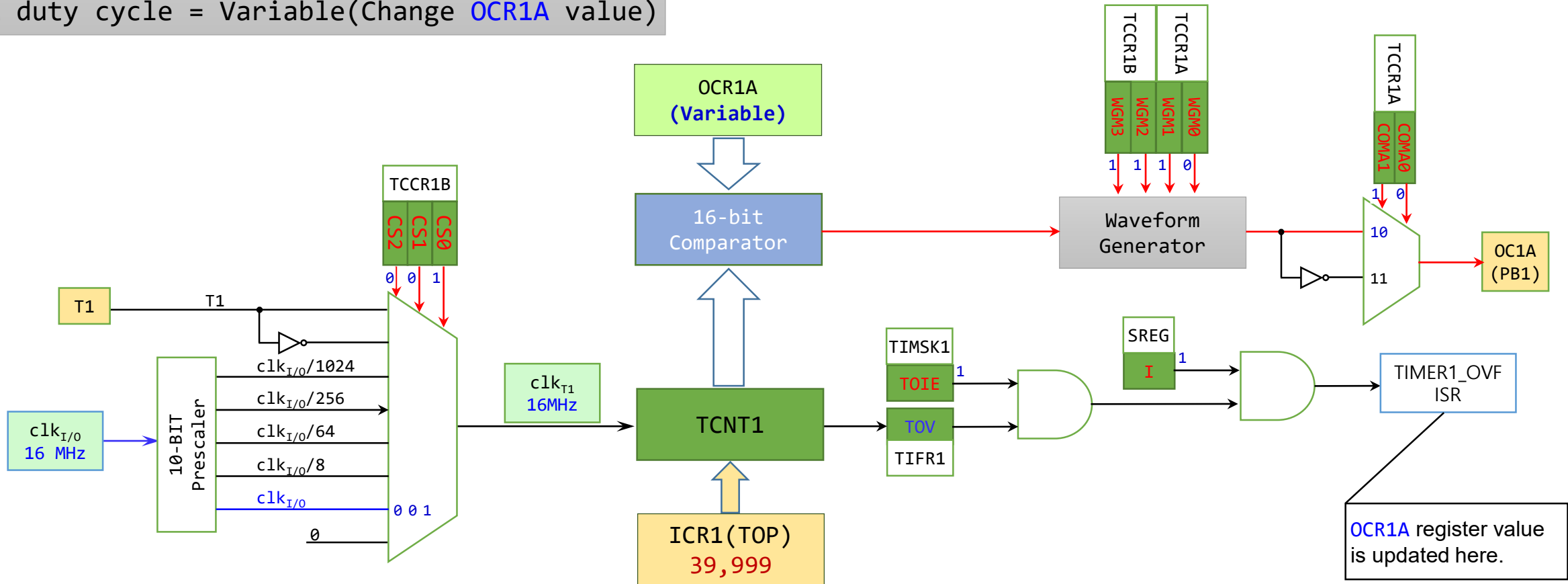
Solution

- Use [Timer/Counter1](#) Fast PWM mode
- Use [ICR1](#) as TOP ($WGM[3:0]=1110$)
- PWM signal drives an LED connected to [OC1A](#) (PB1).
- Duty cycle: [variable](#).
- PWM frequency: [400Hz](#) (fixed)



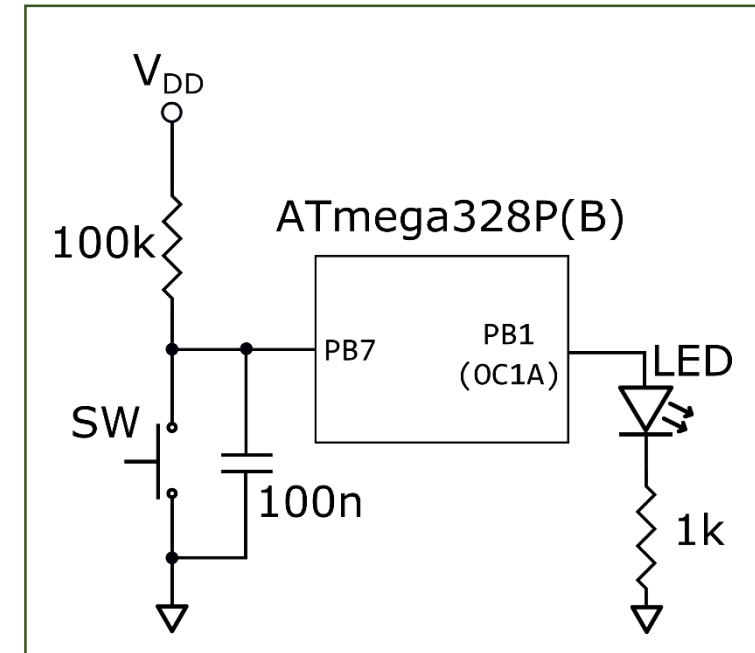
Timer/Counter1, 3, 4 Fast PWM Example 3 (2)

TCNT0 TOP = ICR1 ← 39,999
 PWM frequency = 16MHz/40,000 = 400Hz
 PWM duty cycle = Variable(Change OCR1A value)



Timer/Counter1, 3,4 Fast PWM Example 3 (3)

```
/* <tc1_fast_PWM_ex3.c> PWM signal at OC1A(PB1) changes whenever SWITCH at PB7 is pressed. */  
  
#include <avr/io.h>  
#include <avr/interrupt.h>  
#define TOP 39999  
  
unsigned int duty_cycle;  
  
int main(void)  
{  
    DDRB = 0b00000010; // Set OC1A (PB1) to OUTPUT  
    TCCR1A = 0b10000010; // OC1A:Non-Inverting PWM, OC1B:Disconnect, Fast PWM, TOP=ICR1  
    TCCR1B = 0b00011001; // Fast PWM, TOP=ICR1, Prescaler: div by 1, CLKt1=16MHz/1=16MHz  
    ICR1 = TOP; // TCNT1 TOP. PWM freq = 16MHz/40,000=400Hz  
    OCR1A = duty_cycle; // Duty cycle=variable (Initial value:0)  
    TIMSK1 = 0b00000001; // Enable Timer/Counter1 Overflow Interrupt  
    sei();  
  
    while (1)  
    {  
        if ((PINB & (1 << PINB7)) == 0) // switch pressed?  
        {  
            duty_cycle += 2000; // update duty cycle  
            if (duty_cycle > TOP)  
                duty_cycle = 0;  
            while ((PINB & (1 << PINB7)) == 0); // wait for switch release  
        }  
    }  
  
    ISR(TIMER1_OVF_vect)  
    {  
        OCR1A = duty_cycle; // Apply new duty value  
    }  
}
```



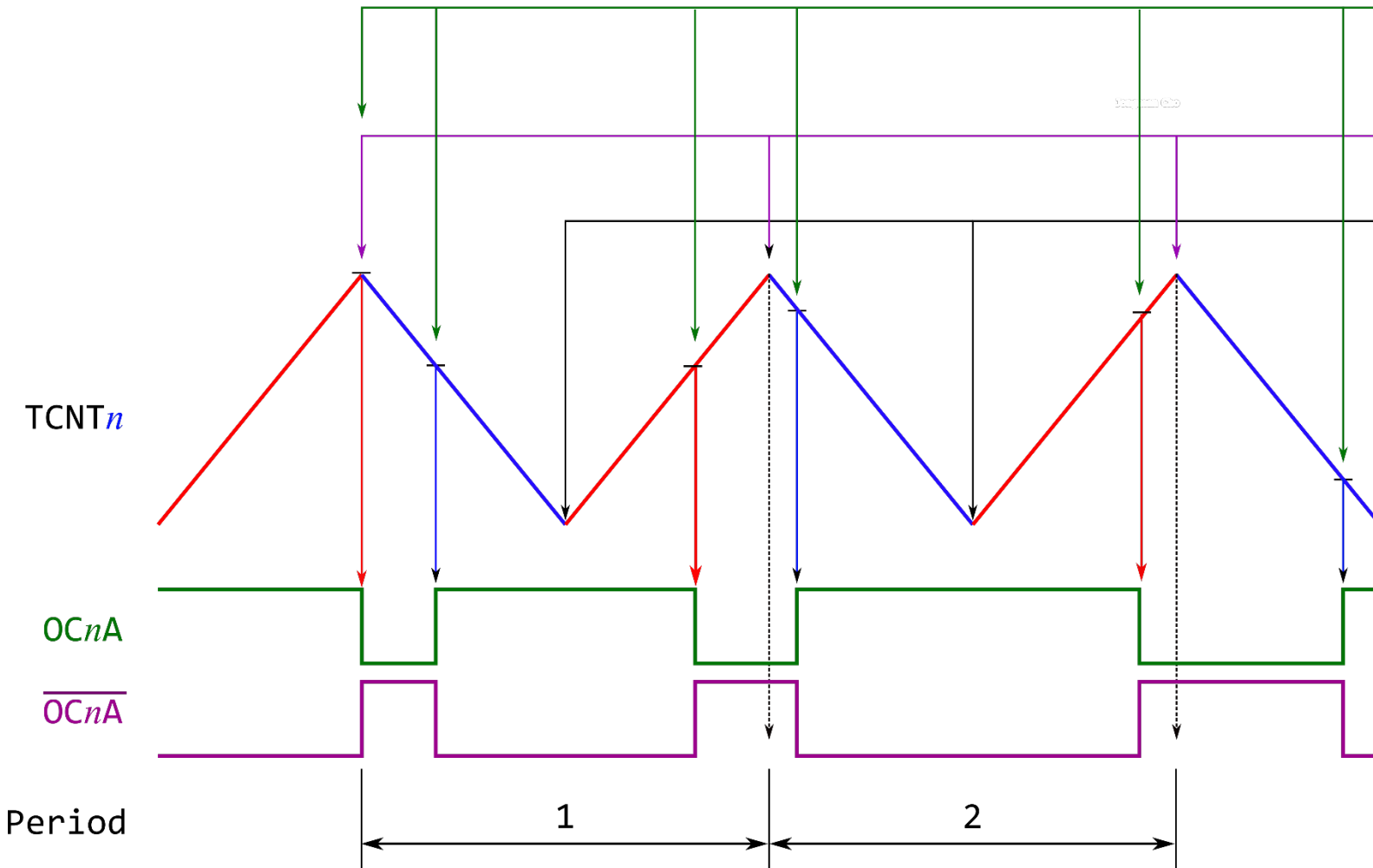
Timer/Counter1,3,4 Phase Correct PWM mode

Timer/Counter1, 3, 4 Phase Correct PWM Mode (1)

- $WGM[3:0]=0b0001$, $WGM[3:0]=0b0010$, $WGM[3:0]=0b0011$, $WGM[3:0]=0b1001$, $WGM[3:0]=0b1011$
- The counter(TCNT n) is incremented until the counter value matches TOP.
- When the counter reaches TOP, it changes the count direction.
- The TCNT n value will be equal to TOP for **one** timer clock cycle.
- The counter is decremented until the counter value matches BOTTOM.
 - ✓ BOTTOM is 0
 - ✓ TOP is
 - $0x00FF$ when $WGM[3:0]=0001$.
 - $0x01FF$ when $WGM[3:0]=0010$.
 - $0x03FF$ when $WGM[3:0]=0011$.
 - ICR n when $WGM[3:0]=1010$.
 - OCR nA when $WGM[3:0]=1011$.
- Two types of PWM signals can be available
 - ✓ Non-invert: COMA[1:0]=0b10
 - OC nA bit is **cleared** on compare match while **up**-counting.
 - OC nA is **set** on the compare match while **down**-counting.
 - ✓ Invert: COMA[1:0]=0b11
 - Operation is inverted.

Timer/Counter1, 3, 4 Phase Correct PWM Mode (2)

TCNT_n TOP == OCR_{nA} or ICR_n



Non-Inverting OC_{nA}
is CLEARED on MATCH while UP-COUNTING
is SET on MATCH while DOWN-COUNTING.

At TOP
OCR_{nA}/TOP is updated.
OC_{nA} or ICF_n Interrupt Flag is set.

TOV_n Interrupt Flag is SET when TCNT_n
reaches BOTTOM.

COMA[1:0]=0b10

COMA[1:0]=0b11

Timer/Counter1,3,4 Phase Correct PWM Example 1

(Single Channel / Variable Duty Cycle)

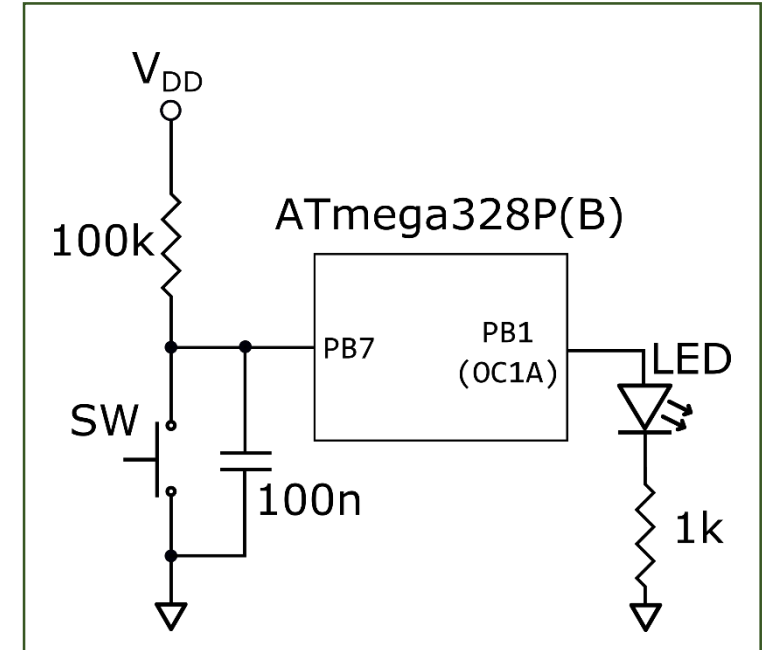
Timer/Counter1, 3, 4 Phase Correct PWM Example (1)

Problem

Make an application which controls LED brightness by SWITCH press, i.e. LED brightness is getting higher whenever the SWITCH is pressed.

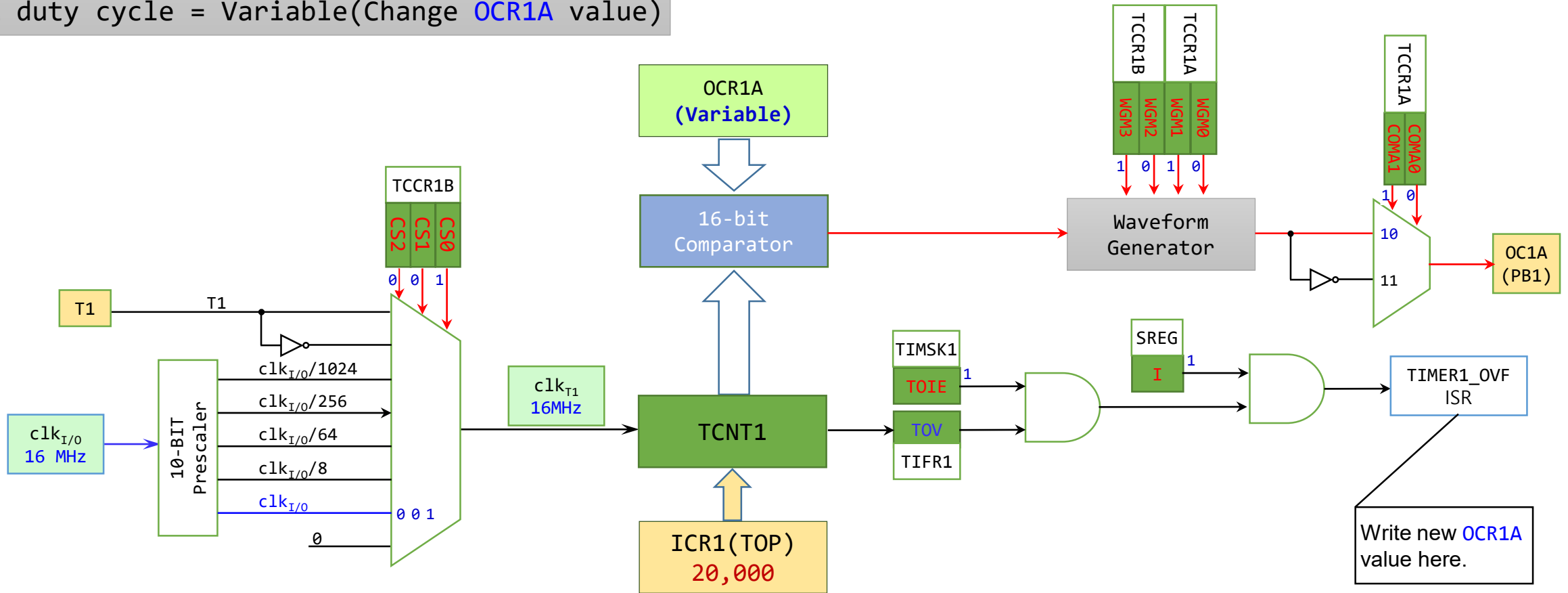
Solution

- Use **Timer/Counter1** Phase Correct PWM mode
- Use **ICR1** as TOP ($WGM[3:0]=1010$)
- PWM signal drives an LED connected to **OC1A (PB1)**.
- Duty cycle: **variable**.
- PWM frequency: **400Hz** (fixed)



Timer/Counter1, 3, 4 Phase Correct PWM Example (2)

TCNT0 TOP = ICR1 ← 20,000
 PWM frequency = 16MHz/40,000 = 400Hz
 PWM duty cycle = Variable(Change OCR1A value)



Timer/Counter1, 3, 4 Phase Correct PWM Example (3)

```
/* tc1_phase_correct_pwm_example.c
 * PWM signal at OC1A(PB1) changes whenever SWITCH at PB7 is pressed. */

#include <avr/io.h>
#include <avr/interrupt.h>

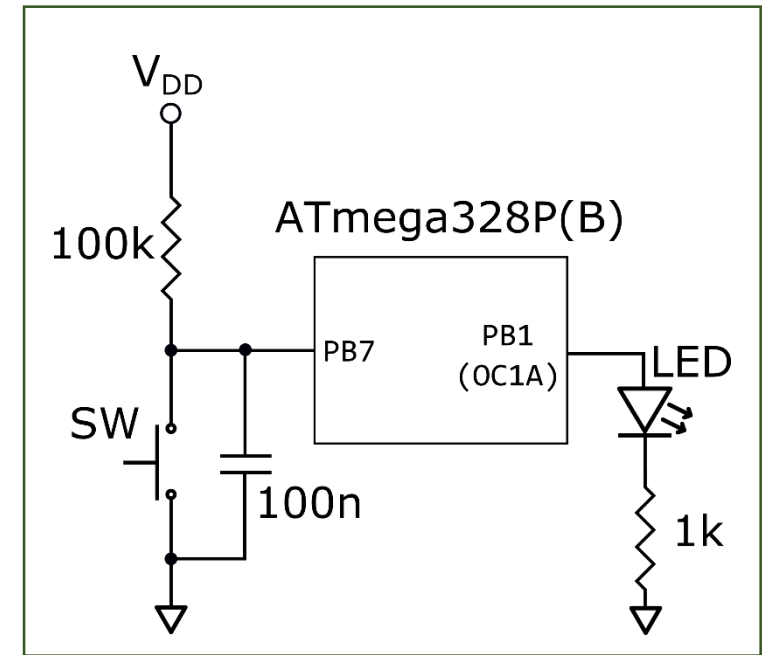
#define TOP 20000

unsigned int duty_cycle = 0;

int main(void)
{
    DDRB = 0b00000010; // Set OC1A (PB1) to OUTPUT
    TCCR1A = 0b10000010; // OC1A:Non-Inverting PWM, OC1B:Disconnect, Phase Correct PWM, TOP=ICR1
    TCCR1B = 0b00010001; // Phase Correct PWM, TOP=ICR1, Prescaler: div by 1, CLKt1=16MHz/1=16MHz
    ICR1 = TOP; // TCNT1 TOP. PWM freq = 16MHz/40,000=400Hz
    OCR1A = duty_cycle; // Duty cycle=variable (Initial value:0)
    TIMSK1 = 0b00000001; // Enable Timer/Count1 Overflow Interrupt
    sei();

    while (1)
    {
        if ((PINB & (1 << PINB7)) == 0) // switch pressed?
        {
            duty_cycle += 2000; // update duty cycle
            if (duty_cycle > TOP) // OCR1A value must be smaller than TOP
                duty_cycle = 0;
            while ((PINB & (1 << PINB7)) == 0); // wait for switch release
        }
    }

    ISR(TIMR1_OVF_vect)
    {
        OCR1A = duty_cycle; // Apply new duty value
    }
}
```



Timer/Counter1,3,4

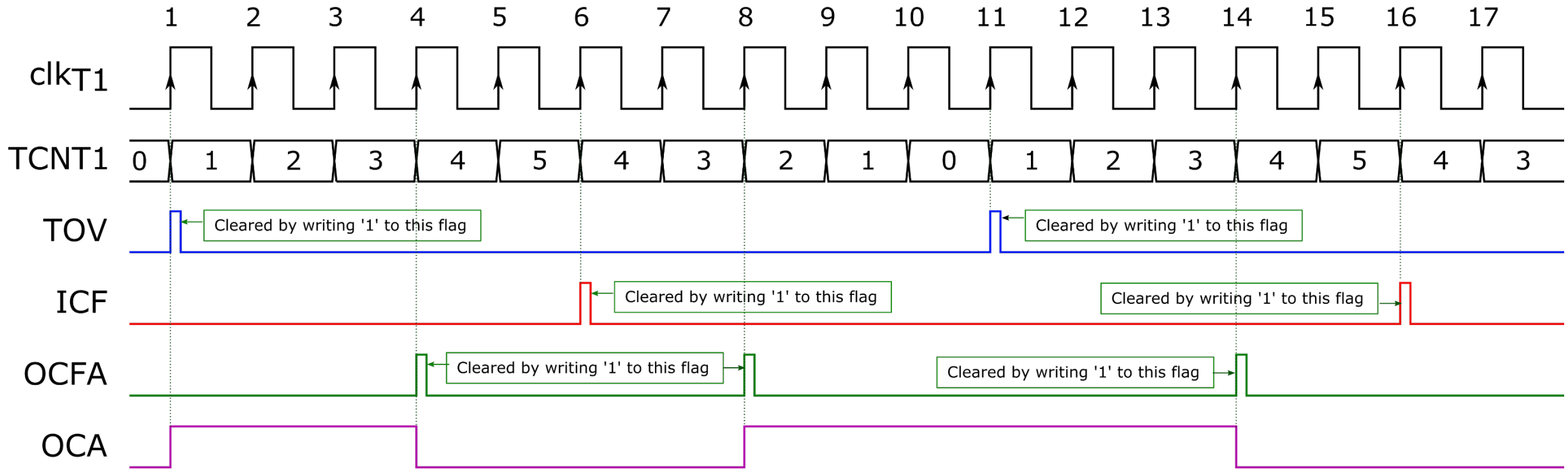
Phase Frequency Correct PWM mode

Timer/Counter1, 3, 4 Phase Frequency Correct PWM Mode (1)

- $WGM[3:0]=0b1000$, $WGM[3:0]=0b1001$
- The main difference between the phase correct, and the phase and frequency correct PWM mode is the time the OCRnx Register is updated by the OCRnx Buffer Register.
- The counter(TCNT n) is incremented until the counter value matches TOP.
- When the counter reaches TOP, it changes the count direction.
- The TCNT n value will be equal to TOP for **one** timer clock cycle.
- The counter is decremented until the counter value matches BOTTOM.
 - ✓ BOTTOM is 0
 - ✓ TOP is
 - ICRn when $WGM[3:0]=0b1000$.
 - OCRnA when $WGM[3:0]=0b1001$.
- Two types of PWM signals can be available
 - ✓ Non-invert: COMA[1:0]=0b10
 - OCnA bit is **cleared** on compare match while **up**-counting.
 - OCnA is **set** on the compare match while **down**-counting.
 - ✓ Invert: COMA[1:0]=0b11
 - Operation is inverted.

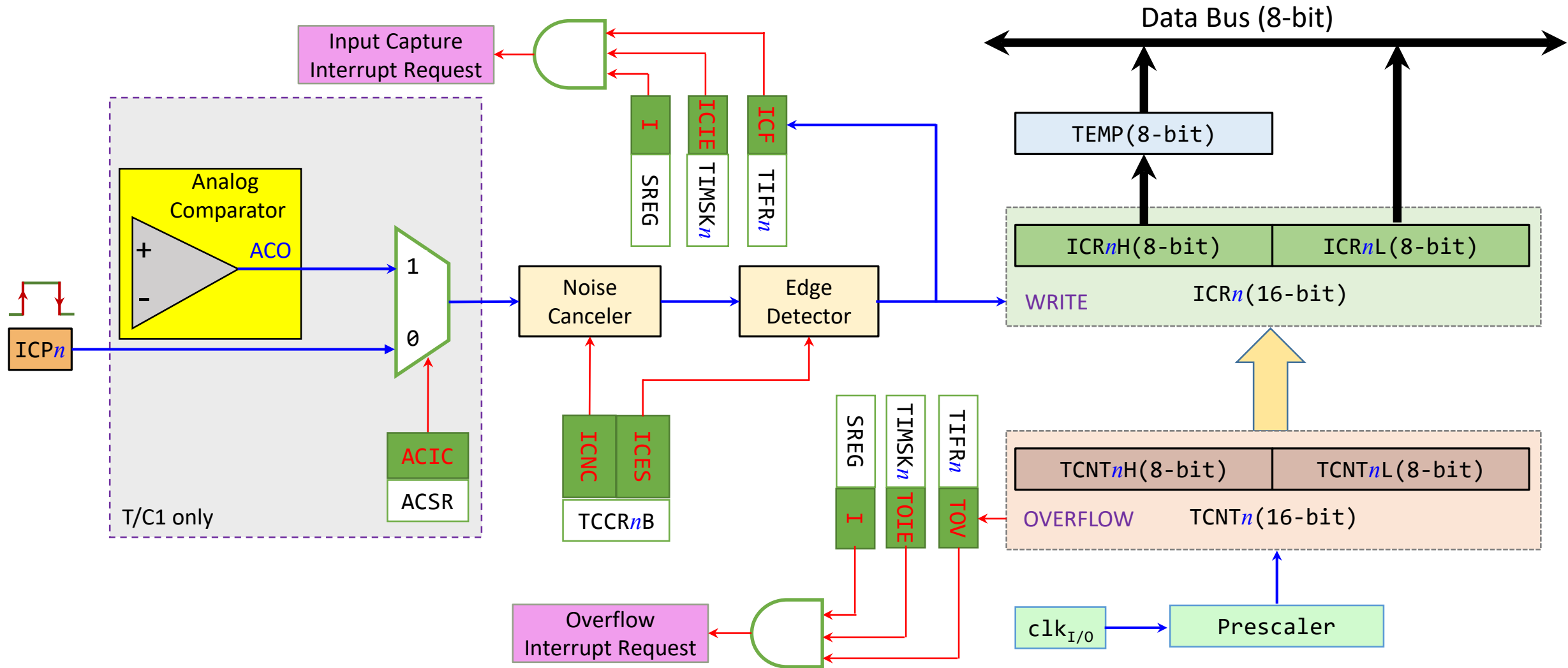
Timer/Counter1, 3, 4 Phase Frequency Correct PWM Mode (2)

Phase Frequency Correct PWM (TOP=ICR1=5, OCR1A=3)



Timer/Counter1,3,4 Input Capture Unit

T/C1, 3, 4 Input Capture Unit Block Diagram



Timer/Counter1

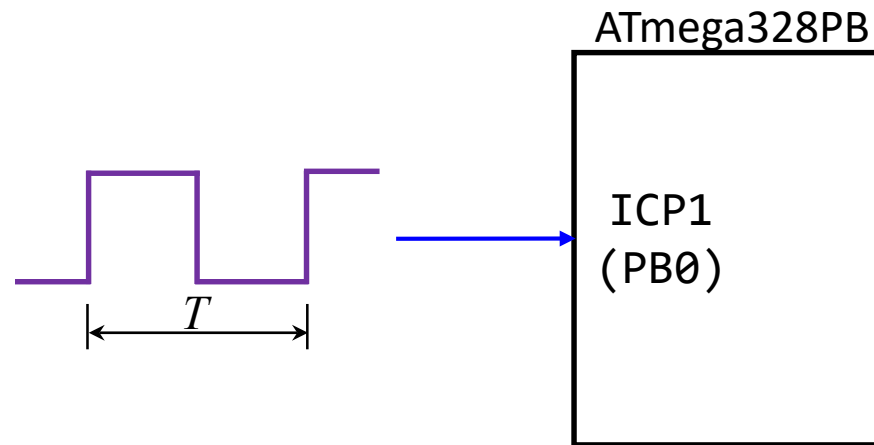
Input Capture Example

Timer/Counter1 Input Capture Example (1)

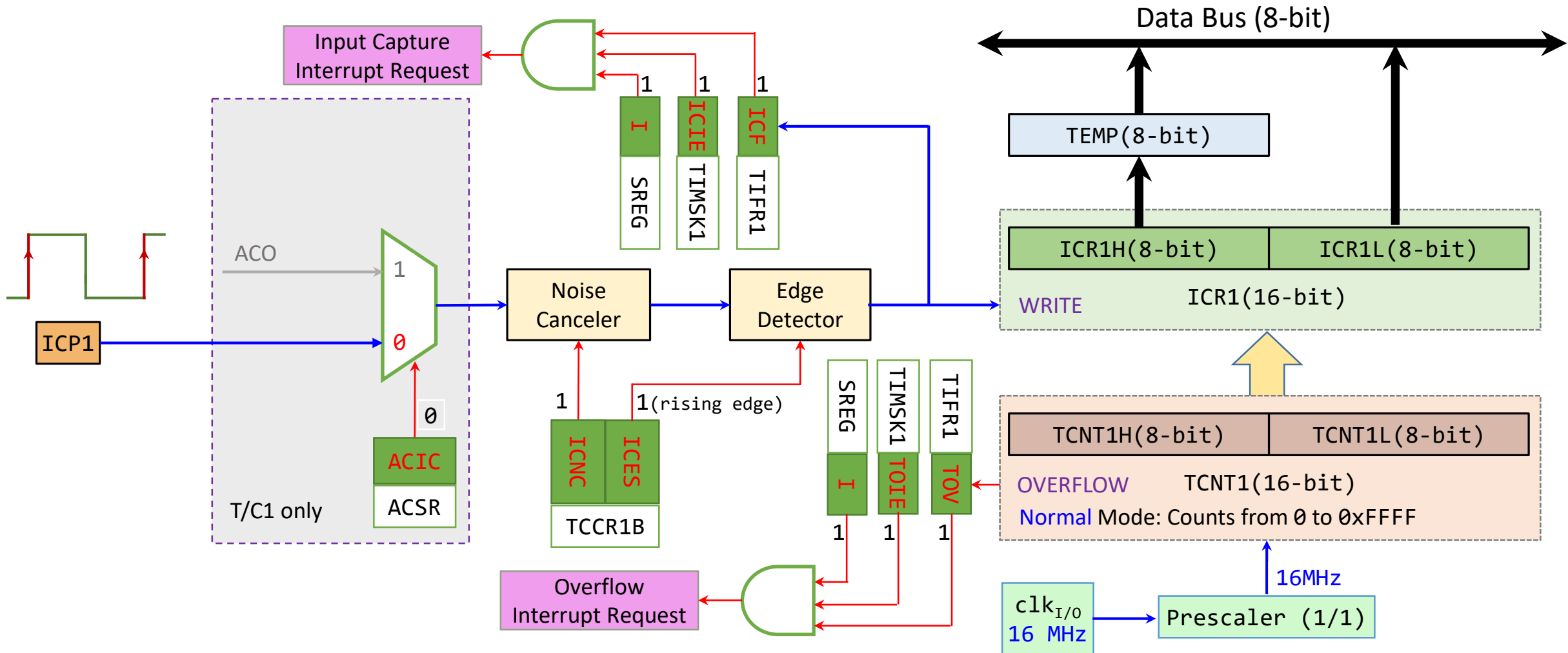
Frequency Measurement of A Rectangular Waveform

- Make an application which measures frequency of a rectangular wave on ICP1 (PB0).
- Use Timer/Counter1 Input Capture Unit.
- Use Noise Canceler.

$$f = 1/T$$

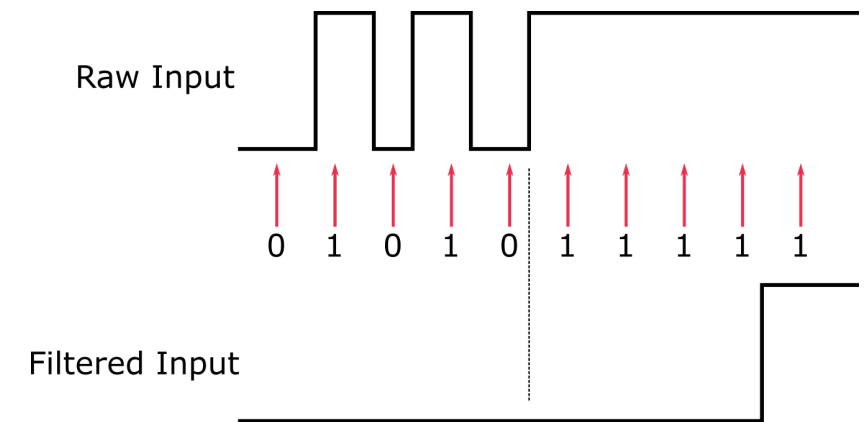
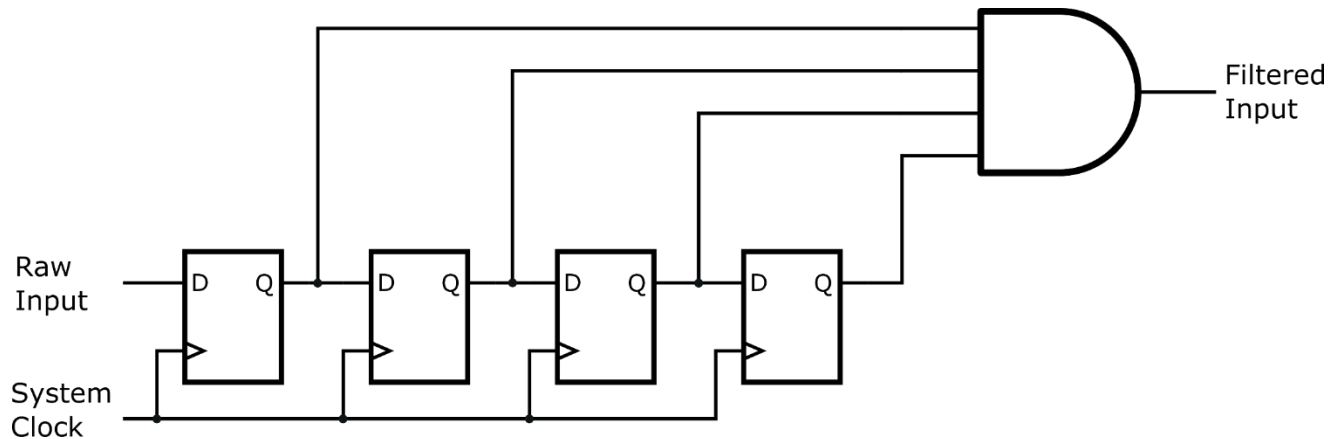


Timer/Counter1 Input Capture Example (2)

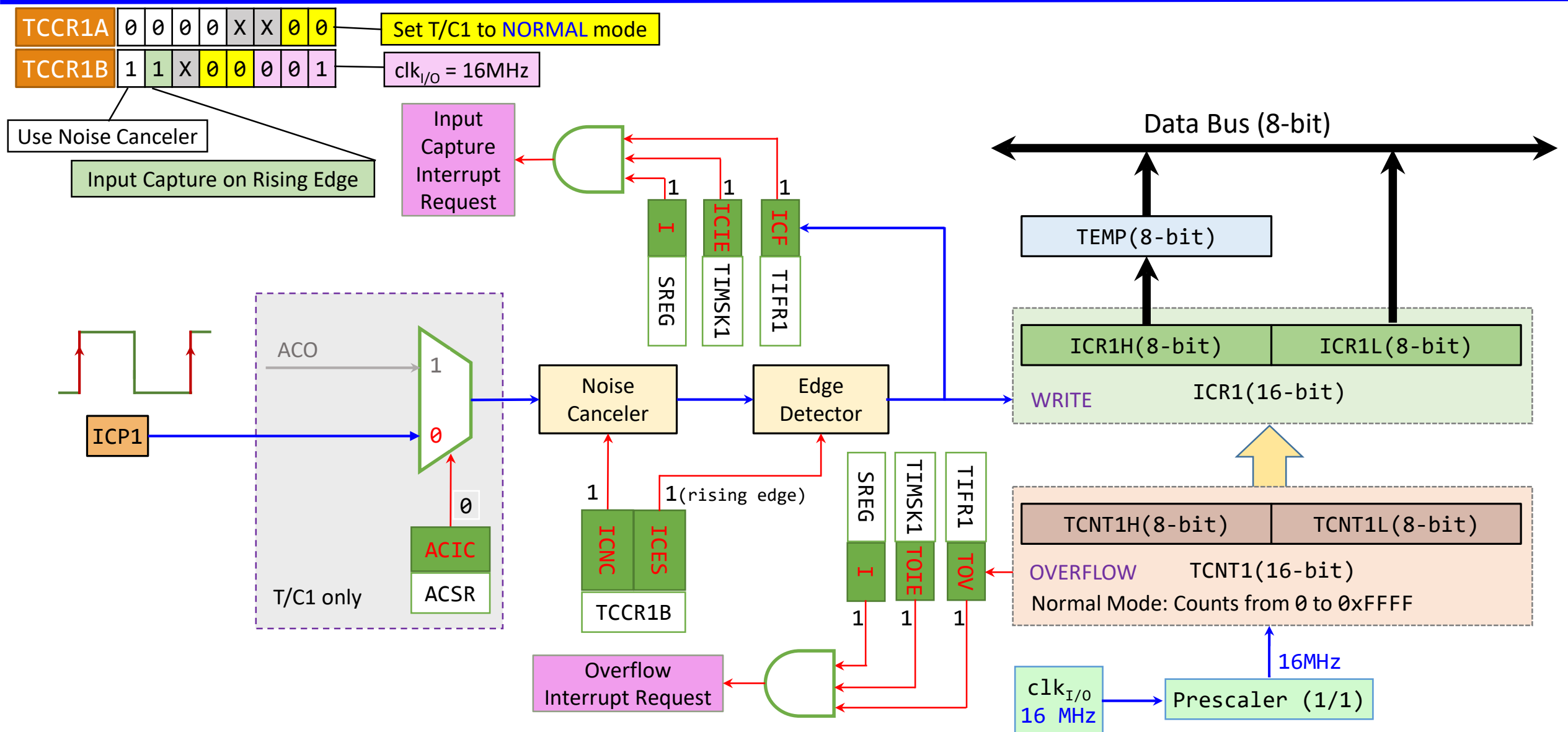


Noise Canceler

- The noise canceler improves noise immunity by using a simple digital filtering scheme.
- The noise canceler input is monitored over **four samples**.
- All **four must be equal** for changing the output that in turn is used by the edge detector.
- The noise canceler is enabled by setting the **Input Capture Noise Canceler** bit in the **TCCRnB.ICNC**.
- When enabled, the noise canceler introduces an additional delay of four system clock cycles between a change applied to the input and the update of the **ICRn** Register.



Timer/Counter1 Input Capture Example (3)



Timer/Counter1 Input Capture Example (4)

```
#define F_CPU      16000000UL
#define F_TIMER1  F_CPU
#define BAUD_RATE 1000000UL// 1 Mbps

#include <avr/io.h>
#include <avr/interrupt.h>
#include <util/delay.h>
#include <stdio.h>

void uart_init(uint32_t baudrate);

volatile uint8_t capture_flag;
uint32_t overflow_count;
uint32_t num_of_count;

int main(void)
{
    uint32_t input_count;
    float    input_freq;

    uart_init(BAUD_RATE);

    TCCR1A = 0x00;
    TCCR1B = (1 << ICNC1)           // Enable Noise Canceler
             | (1 << ICES1)         // Capture on Positive Edge
             | (0b001 << CS10);     // Prescaler: divide by 1
    ACSR  &= ~(1<<ACIC );          // Select ICP1 as Capture Trigger Input
    TIFR1 |= (1 << ICF1) | (1 << TOV1); // Clear ICF1 and TOV1
    TIMSK1 = (1<< ICIE1)           // Enable Input Capture Interrupt
             | (1 << TOIE1);       // Enable Overflow Interrupt
    sei();
}
```

```
while (1)
{
    if (capture_flag == 1) // new captured value is available
    {
        input_count = num_of_count;
        input_freq = (float)F_TIMER1 / (float)input_count;
        printf("Freq=%.1f Hz\n", input_freq);

        capture_flag = 0;
    }
}

ISR(TIMER1_OVF_vect) // T/C1 Overflow ISR
{
    overflow_count++;
}

ISR(TIMER1_CAPT_vect) // T/C1 Capture ISR
{
    static uint32_t prev_count = 0;
    uint32_t curr_count;
    uint32_t curr_icr_value;

    curr_icr_value = ICR1;
    curr_count = overflow_count * 65536L + curr_icr_value;
    num_of_count = curr_count - prev_count;

    prev_count = curr_count;
    capture_flag = 1;
}
```

Timer/Counter1 Input Capture Example (5)

```
/* uart.c */  
  
#define F_CPU 16000000UL  
  
#include <avr/io.h>  
#include <stdio.h>  
  
int uart_putchar(char ch, FILE *stream);  
  
FILE uart_str = FDEV_SETUP_STREAM(uart_putchar, NULL, _FDEV_SETUP_RW);  
  
void uart_init(uint32_t baudrate)  
{  
    UCSRB |= (1 << RXEN0) | (1 << TXEN0); // enable TX and RX  
    UCSRC |= (1 << UCSZ00) | (1 << UCSZ01); // 8-bit word  
    UBRR0 = (((F_CPU / (baudrate * 16UL))) - 1);  
    stdout = &uart_str;  
}  
  
int uart_putchar(char ch, FILE *stream)  
{  
    while ((UCSR0A & (1 << UDRE0)) == 0);  
    UDR0 = ch;  
    return 0;  
}
```

16-bit Timer/Counter TC1, TC3, TC4

END

What's next?

